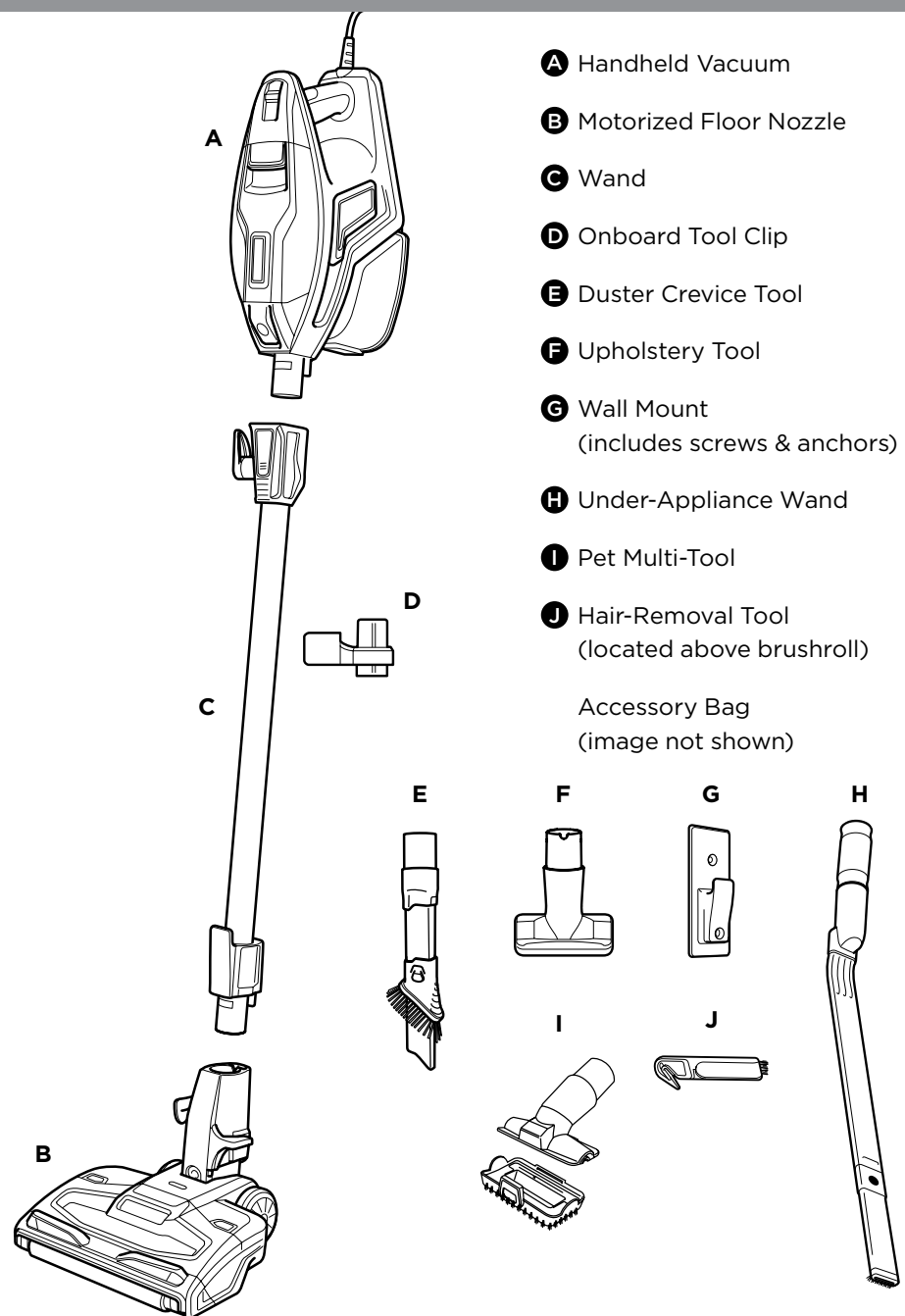
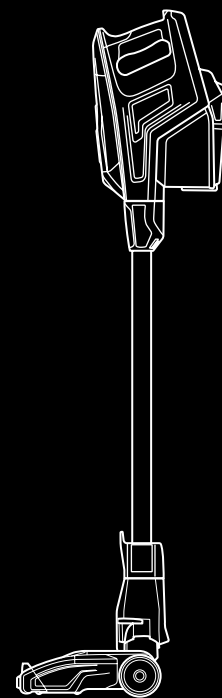


WHAT'S INSIDE:



For additional information on parts and accessories, visit sharkaccessories.com



Shark

For questions or to register your product, contact us at 800-798-7398 or visit us online at sharkclean.com



@sharkcleaning

©2016 SharkNinja Operating LLC. ROCKET and SHARK are registered trademarks of SharkNinja Operating LLC. JOIN THE CLEAN EVOLUTION is a trademark of SharkNinja Operating LLC.

HV384Q_160929

Please make sure to read the enclosed Owner's Guide prior to using your unit.

Shark

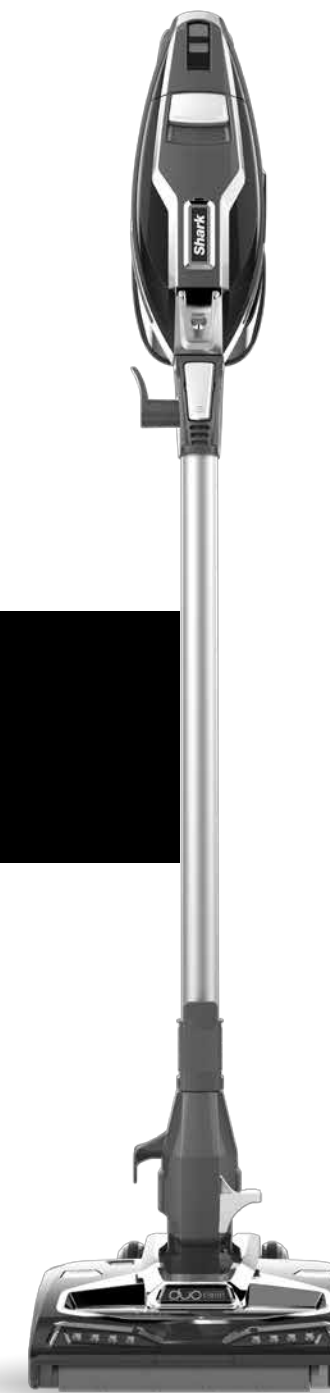
Rocket

COMPLETE

HV384Q Series

QUICK START GUIDE

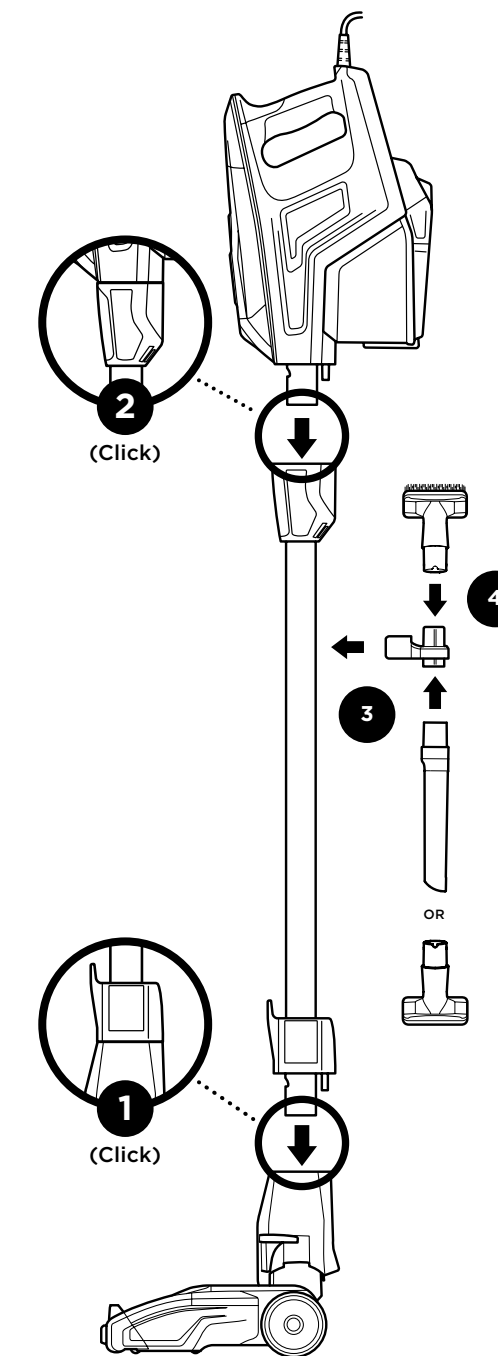
Use this Quick Start Guide to learn about your new vacuum's great features.



Join The Clean Evolution.™

When it comes to cleaning, we're not afraid to get our hands dirty. At Shark®, we're constantly working to evolve and innovate products to meet the needs of people like you. Because our job is to make 5-star-worthy products that make your life a whole lot easier.

ASSEMBLY



HAVING TROUBLE?

ISSUE

Vacuum is not picking up debris. No suction or light suction.

Solution

Empty dust cup, clean filters, and check all openings for blockages.

ISSUE

Vacuum lifts area rugs.

Solution

Turn off the unit to disengage the brushroll and restart with the power slider switch.

ISSUE

Brushroll and/or soft roller does not spin. The Brushroll Indicator Light on the floor nozzle turns red.

Solution

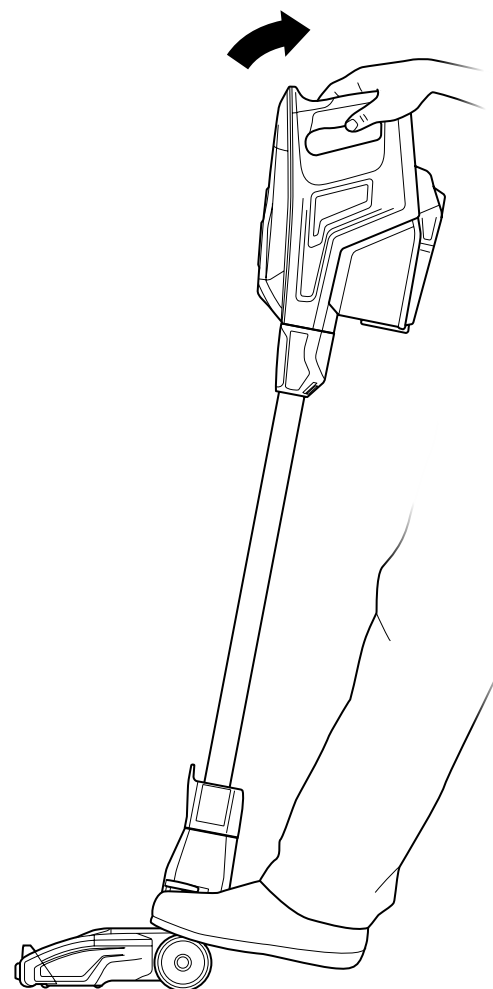
Turn off and unplug the vacuum immediately. Remove any blockages, then reconnect and turn vacuum back on. If Brushroll Indicator Light on the floor nozzle is green, the blockage has been successfully cleared. If the light is still red, please contact customer service at 1-800-798-7398.

VERSATILE FLOOR-TO-CEILING CLEANING

FLOOR CLEANING

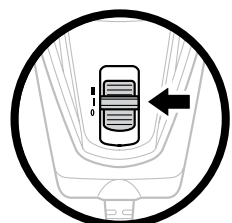
1 Plug The Unit In

Place your foot gently on the floor nozzle and tilt the handle back to start cleaning.



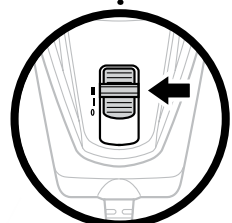
2 Choose Setting

The Rocket® Complete has a 2-speed power slider switch on the handle. Slide the power switch to the appropriate floor setting and start cleaning.



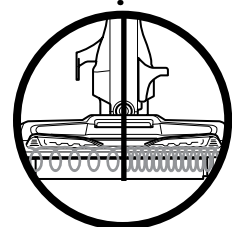
Setting I Gentle on bare floors and delicate area rugs.

The brushroll and the soft roller both spin together slowly to clean bare floors and delicate area rugs. The soft roller traps fine dust and large particles, while the brushroll directs that debris to the suction channel.



Setting II Deep cleans carpets by removing embedded dirt.

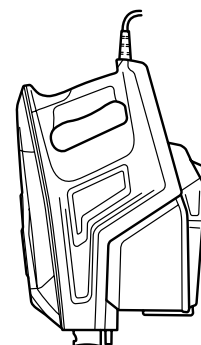
Both brushrolls spin faster, working together to pick up debris below the surface of your carpets.



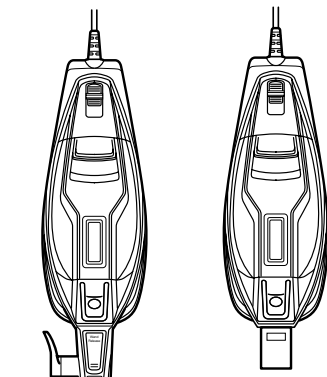
NOTE: For deep cleaning per ASTM F 608 (embedded dirt in carpet) please use on Setting II, high pile carpet mode.

ABOVE-FLOOR CLEANING

1 Stand the vacuum upright. Step on the foot pedal and pull the wand up to disconnect it from the motorized floor nozzle.



2 Attach desired cleaning accessory.

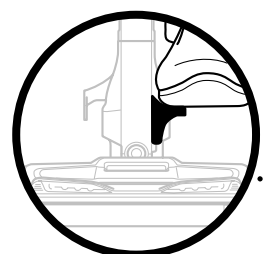


OR

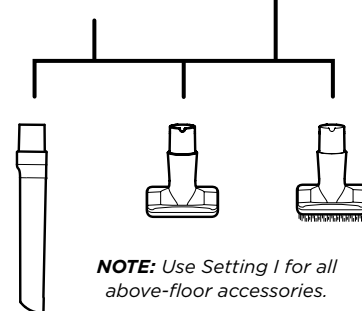
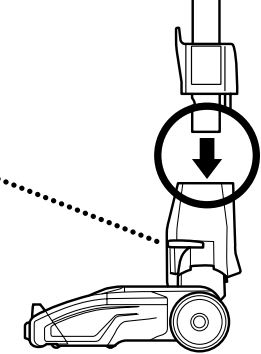
Press the Wand Release button on the top of the wand to disconnect it from the handheld vacuum.



Wand Release



Floor Nozzle Release



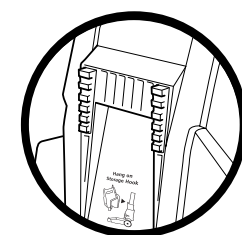
NOTE: Use Setting I for all above-floor accessories.

STORAGE

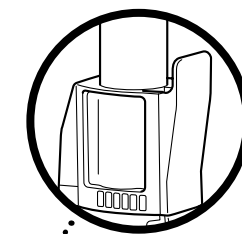
Onboard hook

For compact, convenient storage, hang the hand vacuum on the hook on the bottom of the wand, and wrap the power cord around the cord hooks. The unit stores easily in a closet or along a wall.

Handheld Vacuum Catch



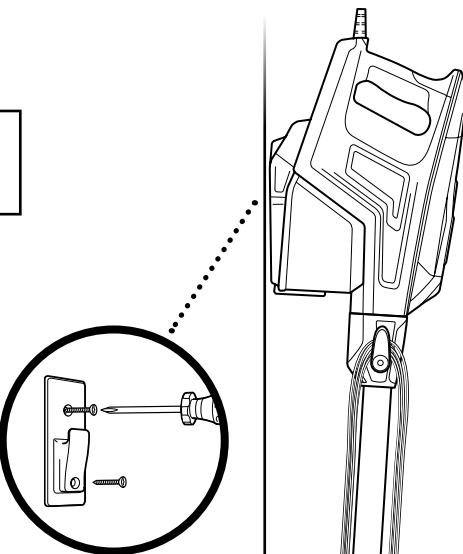
Handheld Vacuum Storage Hook



OR

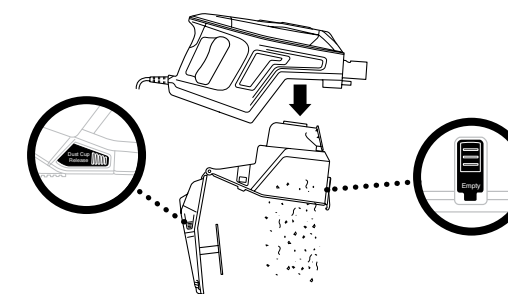
Wall mount

Use the wall mount that is included. See enclosed instruction sheet for complete installation information.



MAINTENANCE

Empty the dust cup every time debris reaches the MAX fill line.



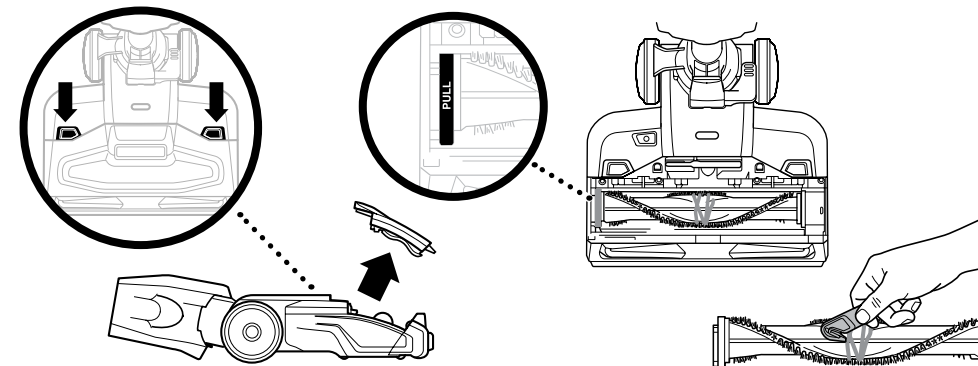
TIP:

Wash filters every month to keep the suction strong.

Rinse filters and allow to air-dry completely. Tap loose dirt from foam filters as needed between washes.

Brushroll garage for easy access to your brushroll.

Push the release buttons and the brushroll garage door will pop up. Lift out the brushroll to easily remove any string, hair, or debris that may be wrapped around it by using the onboard hair-removal tool.



One-touch button for easy access to soft roller.

Slide the soft roller access button up to remove the soft roller. Use the onboard hair-removal tool to clean off any string, carpet fibers, or hair that may be wrapped around the soft roller. Remove any debris from roller housing.

