

Please be sure to read the enclosed Shark® Owner's Guide prior to using your robot cleaning system.

# CONGRATULATIONS ON YOUR NEW SHARK ION™ ROBOT

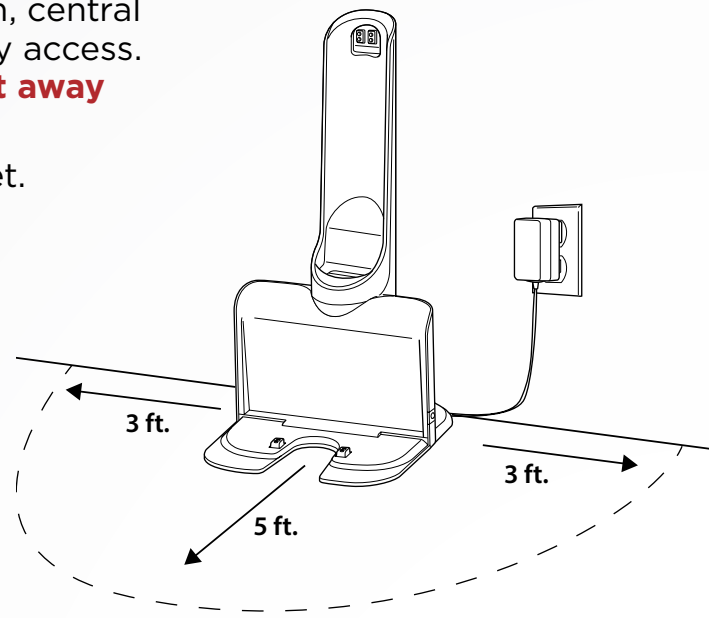
Getting Started is Easy - Follow These Simple Steps To Get Cleaning

## STEP 1 SET UP YOUR CHARGING DOCK

Place dock with its back against a wall on a level surface, in an open, central area that the robot can easily access.

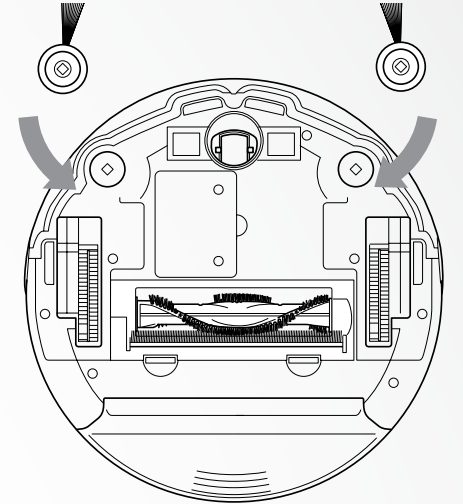
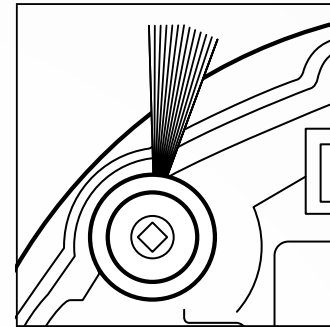
**Dock must be at least 3 feet away from corners.**

Plug dock into a power outlet.



## STEP 2 INSTALL THE SIDE BRUSHES

The 2 included side brushes snap onto the square pegs on the bottom of the robot. Align the hole in the brush over the peg and press down **until brush clicks into place.**



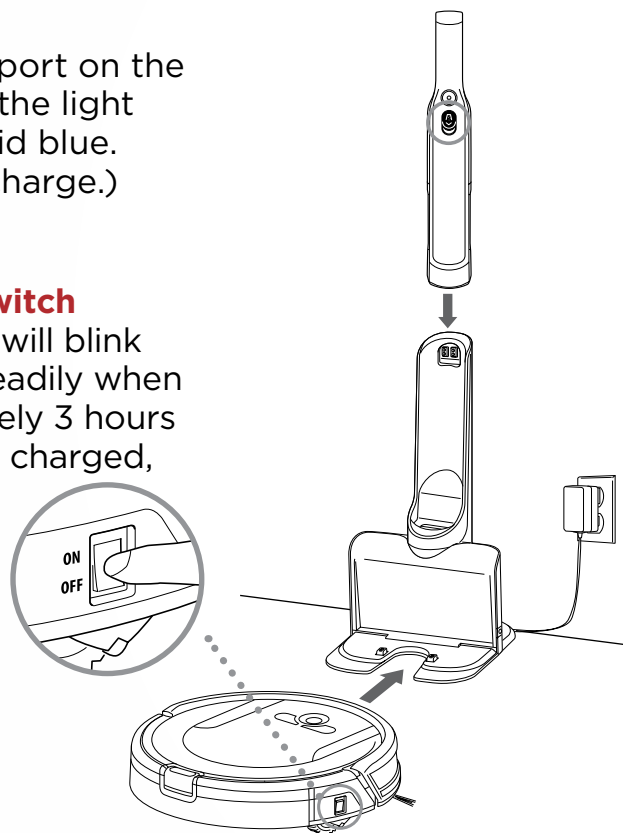
## STEP 3 CHARGE WITH THE DOCK

### Handheld vacuum:

Insert handheld into the charging port on the dock. Charging is complete when the light on the handheld vacuum turns solid blue. (Approximately 2.5 hours for full charge.)

### Robot:

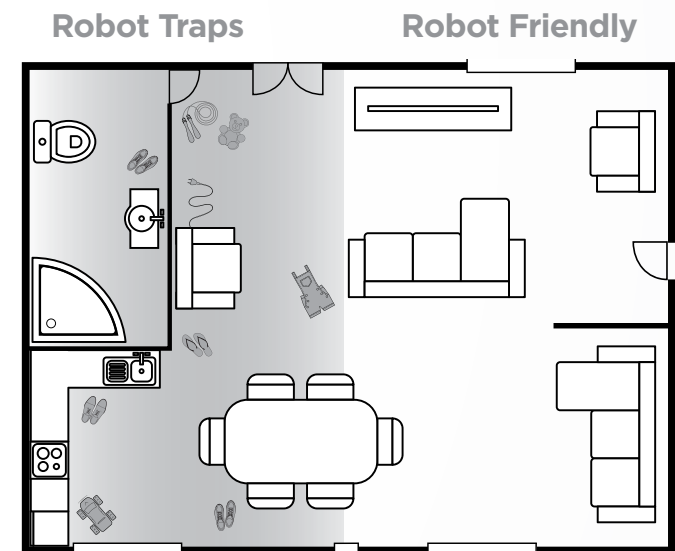
Place robot on dock. **The Power switch must be ON to charge.** Blue lights will blink during charging, then illuminate steadily when charging is complete. (Approximately 3 hours for full charge.) When robot is fully charged, press the Clean button to start.



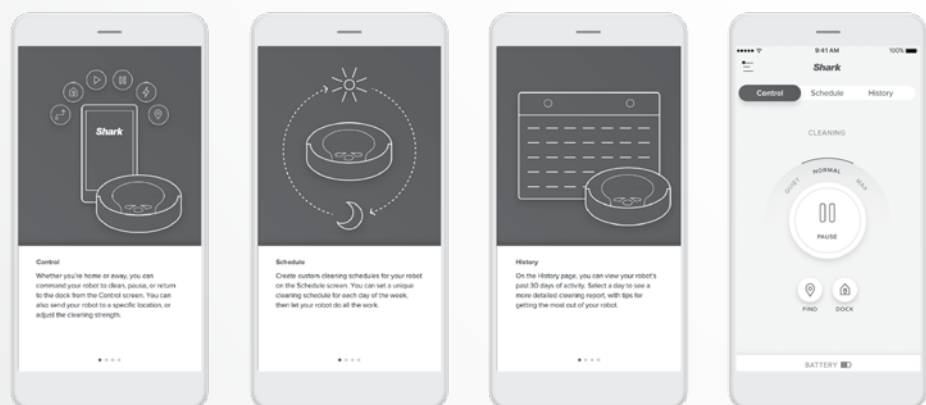
## STEP 4 PREP YOUR HOME FOR CLEANING

**Remove robot-trapping obstacles such as loose power cords, clothes, toys, and low-hanging drapes.**

Use BotBoundary™ strips to block off furniture and create no-go zones.



## STEP 5 GET THE FULL EXPERIENCE WITH THE APP



With the **Shark ION Robot app**, you can easily schedule cleanings or send your robot into action from anywhere. Search "Shark ION Robot" in the app store, then download onto your iPhone™ or Android™

• Tips, Tricks, and FAQs • Troubleshooting • Voice control setup for the Google Assistant and Amazon Alexa



# Shark ION ROBOT

Don't forget to register your robot at [registeryourshark.com](http://registeryourshark.com)  
Please be sure to read the enclosed Shark® Owner's Guide prior to using your unit.  
For assistance, visit us online at [sharkclean.com](http://sharkclean.com) or contact us at 800-798-7398

©2018 SharkNinja Operating LLC. SHARK is a registered trademark of SharkNinja Operating LLC. BOTBOUNDARY and SHARK ION are trademarks of SharkNinja Operating LLC. AMAZON, ALEXA, and all related logos are trademarks of Amazon.com, Inc. or its affiliates. APPLE, the Apple logo and iPhone are trademarks of Apple Inc., registered in the U.S. and other countries. APP STORE is a service mark of Apple Inc., registered in the U.S. and other countries. GOOGLE, GOOGLE ASSISTANT, GOOGLE PLAY, the Google Play logo, and ANDROID are trademarks of Google LLC.



@sharkcleaning