

Please be sure to read the enclosed Shark® Owner's Guide prior to using your cleaning system.

TIPS AND TRICKS FOR GREAT PERFORMANCE

Before using your Shark ION™ Robot and Cord-Free Handheld Vacuum, you may need to make some small adjustments to optimize cleaning performance, such as setting up BotBoundary™ strips or adding a tool to the hand vacuum.

STEP 1 HAND VACUUM TOOLS

Your Cord-Free Handheld Vacuum comes equipped with tools for tackling pet hair, upholstery, and tight spaces.

CREVICE TOOL

For tight spaces, corners, and hard-to-reach areas.



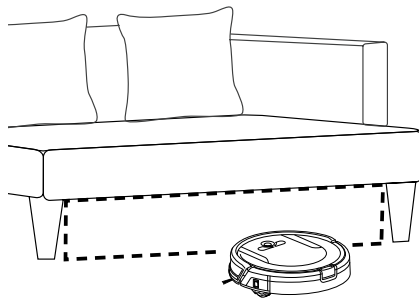
MULTI-SURFACE PET TOOL

For pet hair, furniture, and car cleaning. Cleans larger messes faster and helps clean carpets.



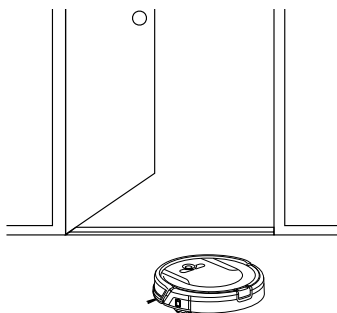
STEP 2 LOW-CLEARANCE FURNITURE

Your robot may find its way under furniture with low clearance, but not be able to free itself. Use furniture risers to increase clearance, or create a no-go zone with BotBoundary strips.



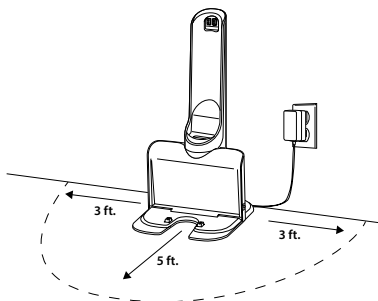
STEP 3 DOORWAY THRESHOLDS

Your robot can easily climb over most common thresholds. However, in some situations they may present a challenge. Use BotBoundary strips to block off these areas.



STEP 4 RETURNING TO DOCK

Make sure the dock is set up as shown. If your robot roams too far, it could have trouble finding the dock. It may be helpful to block off part of your home with BotBoundary strips, or to add a second dock (available at sharkaccessories.com)



Shark ION™ ROBOT

Don't forget to register your robot at registryyourshark.com

Please be sure to read the enclosed Shark® Owner's Guide prior to using your unit.

For assistance, visit us online at sharkclean.com or contact us at 800-798-7398

©2018 SharkNinja Operating LLC. SHARK is a registered trademark of SharkNinja Operating LLC.

BOTBOUNDARY and SHARK ION are trademarks of SharkNinja Operating LLC.

