



## Steam Cleaner with Iron

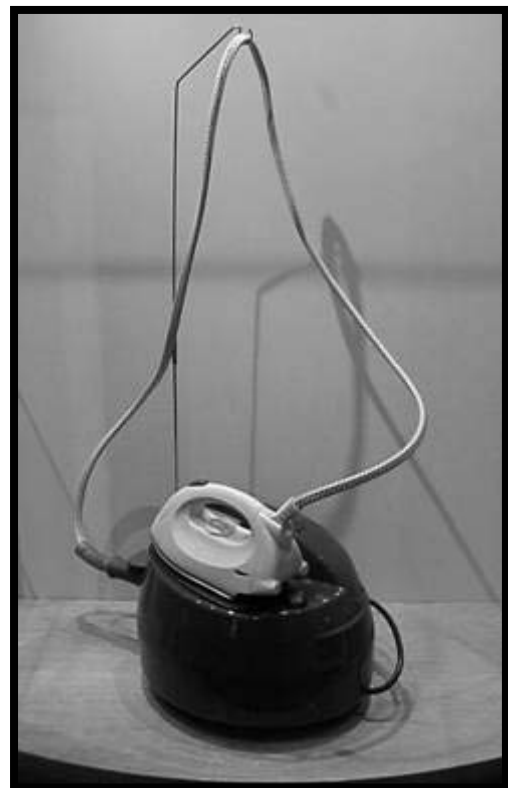
1500 Watt  
Model EP965

### USE & CARE INSTRUCTIONS

Used As a Steam Cleaner



Used As a Steam Iron



Congratulations! You are the owner of the ultimate in modern **Vapor Steam Cleaning/Steam Ironing** equipment. To fully enjoy the advantages of your appliance, please take a few minutes to read all the "Use & Care Instructions" and keep the instructions handy for ready reference. Please review the product warranty and mail the owner registration form.

EURO-PRO CORPORATION  
178 WEST SERVICE RD.  
CHAMPLAIN, NY 12919  
USA

EURO-PRO CORPORATION  
4400 BOIS FRANCOIS  
ST. LAURENT, QUEBEC H4S1A7  
CANADA

# IMPORTANT SAFEGUARDS

When using your **EURO-PRO Steam Cleaner with Iron**, basic safety precautions should always be observed, including the following:

1. Read all instructions before using the Steam Cleaner with Iron.
2. Use the system only for its intended use.
3. To protect against a risk of electric shock. Do not immerse any part of the system in water or other liquids.
4. The system should always be turned OFF before plugging into or unplugging from outlet. Never yank cord to disconnect from outlet; instead, grasp plug and pull to disconnect.
5. Do not allow cord to touch hot surfaces. Let the system cool completely before putting away or opening water tank (removing the safety cap). Wrap cord loosely around system when storing.
6. Always disconnect system from electrical outlet when filling with water or emptying and when not in use. Always turn the safety cap slowly when opening the water tank . This will allow any remaining steam to escape gradually.
7. Always make sure that there is no steam in the steam generator (water tank) before opening the safety cap. Follow instructions to release all remaining steam through the steam cleaner by pressing the steam release button. Unplug the unit and allow to cool before starting to open the safety cap. Always turn the cap slowly when opening the water tank to allow any remaining steam to escape gradually.
8. Do not operate the system with a damaged cord or plug, or if the steam cleaner or any other part of the system has been dropped or damaged. To avoid the risk of electric shock, do not disassemble or attempt to repair the Steam Cleaner. Return the system to **EURO-PRO** Corp. (see warranty for examination and repair. Incorrect re-assembly or repair can cause a risk of electrical shock or injury to persons when the Steam Cleaner is used.
9. Close supervision is necessary for any appliance being used by or near children. Do not leave the system unattended while connected.
10. Burns can occur from touching hot metal parts, hot water or steam. Use caution when turning the system upside down as there may be hot water in the unit. Never direct steam at any person. The steam is very hot and can cause burns.
11. Do not operate in the presence of explosive and/or flammable fumes.
12. This appliance is intended only for household use. Follow all user instructions in this manual.
13. Never use any chemicals or substances other than tap water in the machine. Use of chemicals may damage the machine. Use of chemicals will automatically void your warranty.

## To reduce the risk of fire, electric shock, or injury:

- Do not leave steam cleaner when plugged in. Turn off the switch and unplug the electrical cord when not in use and before servicing.
- Do not allow to be used as a toy. Close attention is necessary when used by or near children, pets or plants.
- Use only as described in this manual. Use only manufacturer's recommended accessories.
- Do not pull cord, use cord as a handle, close a door on cord or pull cord around sharp edges or corners. Keep cord away from heated surfaces.
- Do not use extension cords or outlets with inadequate current carrying capacity.
- Turn off all controls before unplugging from electrical outlet.
- Do not unplug by pulling on cord. To unplug, grasp the plug, not the cord.
- Do not handle plug or steam cleaner with wet hands or operate without shoes.
- Do not put any objects into openings. Do not use with any opening blocked.
- Store your steam cleaner indoors in a cool, dry area.
- Keep your work area well lighted.
- **Never turn the appliance over or on its side when using steam. Never direct steam towards people, animal or plants.**
- Do not immerse the steam cleaner into water or any other liquids. Always unplug the power cord from the electrical socket when filling the steam cleaner.
- **Never put descaling, aromatic, alcoholic or detergent products into the steam cleaner, as this may damage it or make it unsafe for use.**

# SAVE THESE INSTRUCTIONS

# IMPORTANT SAFEGUARDS

Continued

## SPECIAL INSTRUCTIONS

1. To avoid circuit overload, do not operate another appliance on the same socket (circuit)
2. If an extension cord is absolutely necessary, a 15 ampere 14 gage cord should be used. Cords rated for less amperage may overheat. Care should be taken to arrange cord so that it cannot be pulled or tripped over.
3. Do not leave unattended when the system is connected to a power supply/electrical outlet.

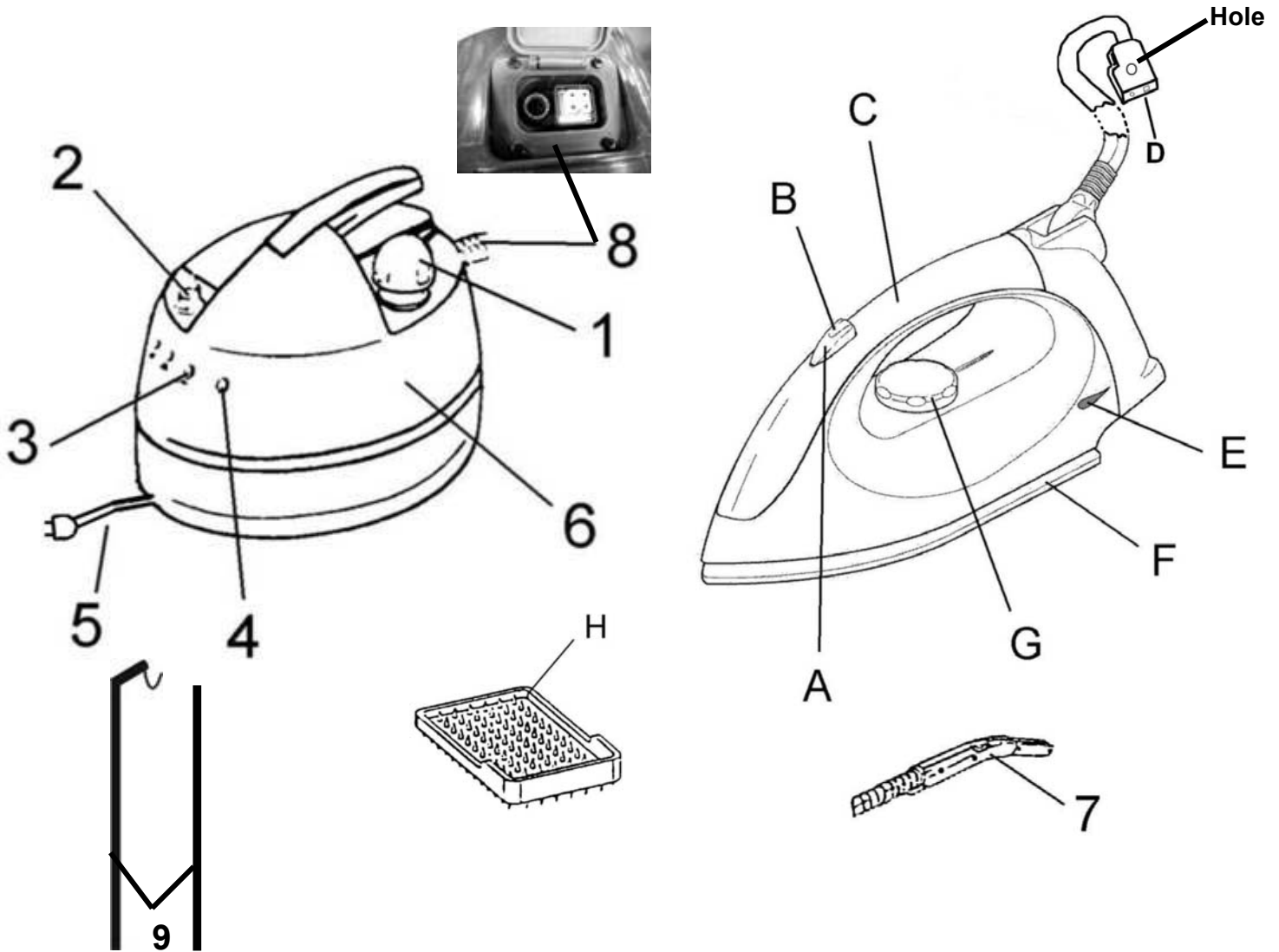
## SAVE THESE INSTRUCTIONS FOR HOUSEHOLD USE ONLY

**WARNING:** This appliance is equipped with a grounded-type 3-wire cord (3-prong plug). This plug will only fit into an electrical outlet made for a 3-prong plug. This is a safety feature. If the plug should fail to fit the outlet, contact an electrician to replace the obsolete outlet. Do not attempt to defeat the safety purpose of the grounding pin, part of the 3-prong plug.

## Steam Cleaner with Iron

**Model EP965**

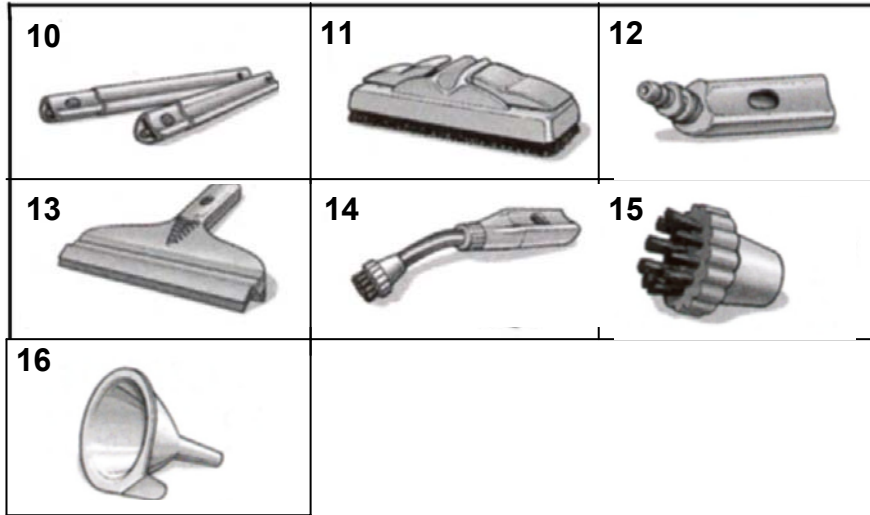
Rated 1500 watts, 110 V / 60HZ



- 1 - Safety Cap for Steam Generator / Water Tank
- 2 - On/Off Switch for the System
- 3 - Steam Indicating Light (Yellow)
- 4 - Add Water Light (Red)
- 5 - Power Cord
- 6 - Steam Cleaning Unit
- 7 - On/Off Steam Switch (On the Steam Handle)
- 8 - Connection Port for Flexible Steam Hose or Iron Steam Hose
- 9 - Steam Hose Holder & Extension

- A - Steam Button
- B - Continuous Steam Lock Button
- C - Handle
- D - Steam Hose with Connection Plug
- E - Temperature Light
- F - Iron Soleplate
- G - Temperature Regulator
- H - Iron Rest

## List Of Accessories



10 - Extension Tubes (2)

11 - Rectangular Brush for Floor / Carpet

12 - Angle Adapter

13 - Glass & Tile Squeegee

14 - Detail Cleaning Attachment

(on the photo small brush is attached)

15 - Small Nylon Detail Brush

16 - Water Filling Funnel

## Technical Specifications

Voltage: 110V 60Hz.  
Power: 1500 Watts  
Max Steam Pressure: 3.5 Bar (50.75 PSI)  
Water Capacity: 6.1/4 Cups / 1.5 Liters  
Max. Steam Temperature: 240°F  
Steam Generator: Stainless Steel 18/10

## Operating Instructions - Components

### On/Off Switch:

The unit is “On” when the switch (#2) is in the “Pushed down” position. The unit is “Off” when the switch is in its “Up” position.

### Safety Cap (#1)

In order to open the Safety Cap, first press it down and then turn counterclockwise.

**Caution:** Read the instruction for “Filling the Water Tank” before opening the Safety Cap.

### Steam Indicating Light (Yellow) (#3)

When this light is “On”, it indicates that the steam is ready to use.

**Important:** This light will go “On” and “Off” during usage showing that the steam is being generated.

### Add Water Light (Red) (#4)

This light will go “On” when the water level is low.

**Important:** Before adding water, read the instructions for adding water.

Depending on the ambient room temperature, this light might go on for a short period during initial tank heating.

### On/Off Steam Switch (#7)

Setting this switch to the “On” position will start the flow of steam.

**Caution:** The On/Off Steam Switch located on the handle must be in the “Off” position before attaching or disassembling accessories.

## Starting Your Steam Cleaner

<p><b><u>CAUTION:</u></b> Do not plug in the machine during filling. Use a grounded receptacle. Use only a heavy duty extension cord rated for 15 amps - Do not use an ordinary extension cord.</p>
---

## Filling Your Steam Generator With Water

- Step 1:** Make sure that the ON/OFF Switch for the system (2) and ON/OFF Steam Switch (7) are in the “OFF” position.
- Step 2:** Make sure that your appliance is unplugged i.e. is not connected to an electrical power source.
- Step 3:** If you have used the unit before, make sure that any remaining steam in the Steam Generator has been released through the iron as described in Steps 10 and 11.
- Step 4:** To unscrew the Safety Cap (1), push down and turn the cap counterclockwise, **slowly**.

## Filling Your Steam Generator With Water (continued)

- Step 5:** Put the Funnel (16) into the filling pipe, under the Safety Cap (1). (See illustration below.)
- Step 6:** Fill the tank with water (warm if possible), to the top of the filling pipe.
- Step 7:** Remove the Funnel (16) from the filling pipe. You will notice that the water level dropped to be approximately 2 inches below the top of the filling pipe.
- Step 8:** **DO NOT ADD ANY MORE WATER NOW.** The automatic filling system makes sure that when you follow the above instructions, the steam generator is full of water.
- Step 9:** Replace the Safety Cap (1) turning clockwise until you get friction. **DO NOT CLOSE TOO TIGHTLY OR GASKET WILL BE FLATTENED.**

### IMPORTANT NOTE:

**DO NOT ADD ANY MORE WATER TO THE TANK AFTER THE WATER LEVEL HAS DROPPED. (SEE #7 ABOVE.)**  
**ADDING MORE WATER TO THE TANK AT THIS POINT WILL CAUSE OVERFILLING AND RESULT IN WATER DROPS IN THE STEAM.**



### If the “Add Water” Light (#4) Turns “On” During Cleaning, Indicating Low Water Level, Follow the Instructions Below to Refill the Steam Generator.

- Step 10.** Push the On/Off Switch (#2) to its “Off” position.
- Step 11.** Push the On/Off Steam Switch (#7) to its “On” position to release all the steam left in the steam generator, then turn the switch to “Off” position.
- Step 12.** Unplug the power cord (#5) from the wall socket.
- Step 13.** Follow instructions to fill the Steam Generator as shown above in Step #1.

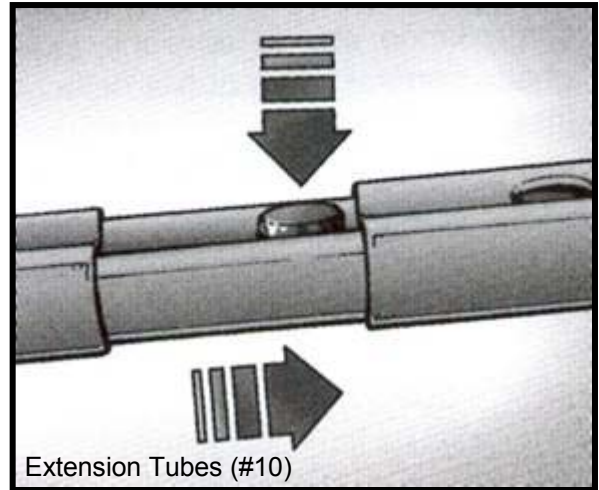
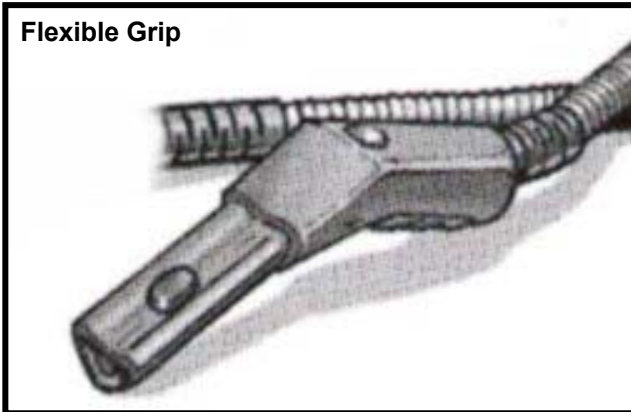
**Caution:** Always use caution when refilling the unit when the unit is hot. Turn unit OFF first before refilling.  
When refilling the machine while it is still hot, the first drops of water might bubble up.

# USING AS A STEAM CLEANER

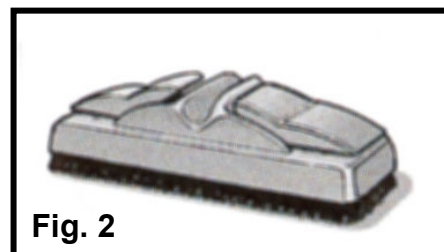
## Using Your Accessories

Attaching the extension tubes (#10) to the Flexible Grip (with On/Off Steam Control) and to the other accessories.

To insert the extension pipes (#10) one in the other, in the flexible grip and in the attachments, press the knob ensuring that it fits into the hole. To disconnect, repeat this operation by pressing the knob and pulling on the two parts.



**Note:** The angle adapter (#12) (fig. 1) is already attached to the rectangular brush (#11) Fig. 2



## Attaching the Angle Adapter

Attaching the Angle Adapter (#12) (fig. 1) to the rectangular brush (#11) (fig. 2). Hold the brush with its bristles pointing down in your left hand. With the "Angle Adapter (#12) pointing downward, insert it into the hole in the back of the brush, then turn the "Angle Adapter" (#12) 180°.

## Removing the Angle Adapter

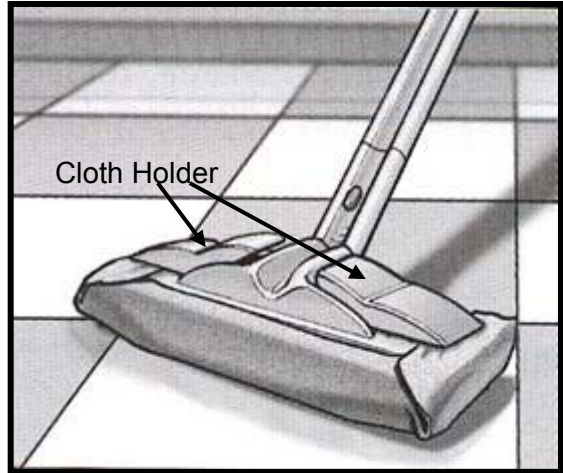
To remove the "Angle Adapter" (#12) from the rectangular brush (#11), hold the brush with its bristles pointing down in your left hand. Turn the "Angle Adapter" (#12) 180° (pointing downward) and then pull.



# Attachments

## Rectangular Brush (#11).

100% white terry cloth towel can be fitted on this brush as to absorb the dirt and protect delicate surfaces. It can also be used on vertical washable surfaces following the same procedure as for the floor.



Brush Wrapped With Terry Cloth

## How to Fit the Towel Over the Rectangular Brush (#11)

**Important:** Please note that bristles may break through thin towels. If you don't have thick enough towels, please use 2 towels.

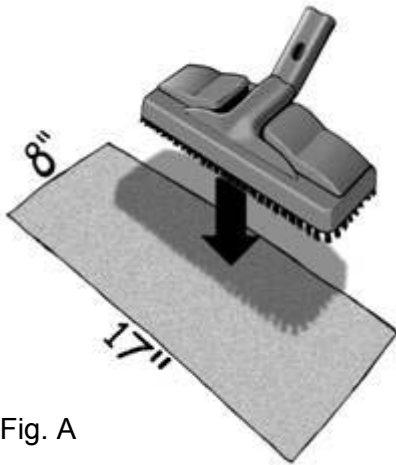


Fig. A

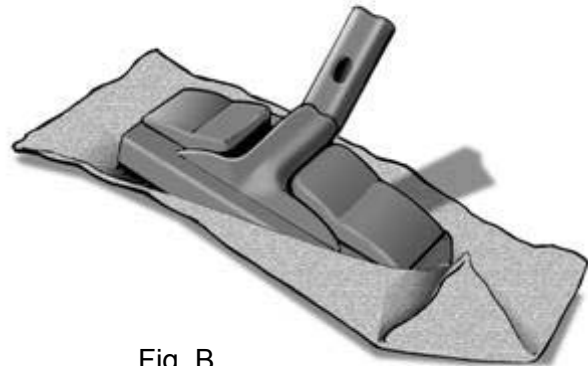


Fig. B

1. Prepare white terry cloth towel: size 8" x 17"
2. Place the brush on top of the towel.

3. Fold the towel as shown in Fig. B



Fig. C

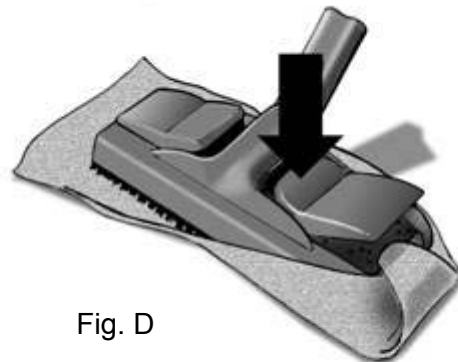


Fig. D

4. Fold the other side of the towel as shown in Fig. C.

5. Place the corner under the cloth holder as shown in Fig. D.



Fig. E

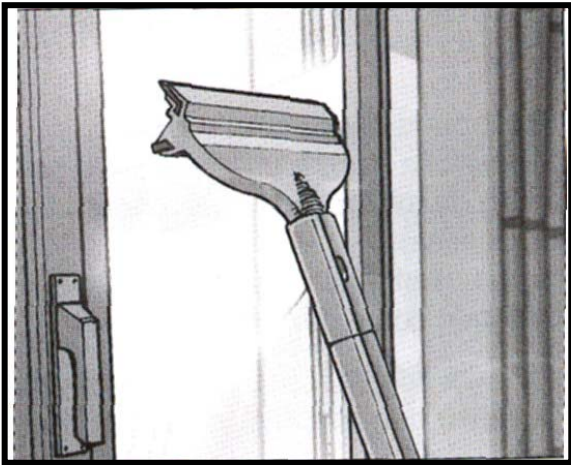
6. Stretch the towel around the brush, and repeat folding the towel as shown in Fig. E.

Glass & Tile Squeegee

This attachment is very useful for cleaning large windows, plastic material, ceramic, tiled surfaces, marble planes, etc.

Apply steam abundantly, rub with the spongy side and remove with the glass wiping rubber.

**Caution:** When cleaning outside windows, always avoid any sudden changes in temperature to prevent breakage or cracks.



Detail Cleaning Attachment (Spray Nozzle #14)

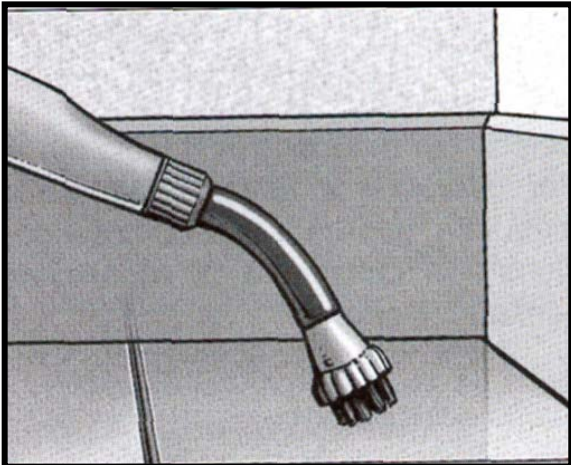
This attachment is very useful for cleaning surfaces that are difficult to reach. It is ideal for radiators, door and window jambs, shutters and sanitary fixtures. The following part can be applied to this attachment:

- small nylon detail brush (#15)

Screw the mini-brushes on the thread end of the spray nozzle (#14).

Small Nylon Detail Brush (#15)

It is best for cleaning in-between the tiles, ceramic, marble, wooden floors.



# Tips On How To Use Your System

## Water

- Use tap water for all your cleaning needs.
- However, if you live in an area with hard water, use demineralized/distilled water when cleaning light colored fabrics to eliminate the possibility of hard water stains.

## Temperature

- The vapor temperature at the tip of the nozzles is between 220°F and 240 °F.
- The temperature of the vapor falls to 100 °F at a distance of 10 inches from the nozzle.

**Warning:** A towel wrapped around the brush can become hot enough to burn. Make sure that you let the towel cool off before touching it.

## Using Towels

- For best results use 100% cotton white terry cloth towels.
- Use correct size of towel to allow you to wrap the towel around the brushes and clip it under the springy cloth holder.
- The purpose of using a towel is to absorb moisture and dirt being cleaned. Always use dry towels. A wet towel will smear the dirt.
- Wash towels with strong detergent and bleach.
- Using scented fabric softener while washing the towels will cause the scent to be released into the air when using the towels with your steam system.

## Efficient Work

- Wipe always from the top down to avoid dirtying surfaces already cleaned.
- Avoid changing brushes back and forth while cleaning.
- Start with the smallest brush to clean tight spots and corners first.
- Wipe dirt as soon as possible, otherwise it will dry and stick to the surface.

# Using Your Steam Cleaner

## Wood, Vinyl and Marble Floors

Use the rectangular brush with a terry cloth attached. Move the brush across the floor as if you are mopping. When the towel is soiled, you can turn the towel over or replace it with a clean towel. If you are working on a very dirty area, you can move the brush over the area slowly, several times. If it is a wood floor, move fast to avoid heat or moisture buildup in the wood. By cleaning with the towel over the brush, you will not affect the shine on the floor.

**To Strip Wax:** Use rectangular brush for open areas; small nylon detail brush for corners or tight areas - no towel, slow strokes. Work a small area at a time - remove the emulsified wax from the floor. When all of the wax has been stripped, immediately clean the floor and brushes with water before residue has a chance to harden on them. Go back over the stripped area with the rectangular brush with a towel to remove any remaining residue before waxing.

**To Clean Waxed Floors:** Wrap a clean towel around the rectangular brush, brush quickly. This will cause the dirt to be removed.

**Vinyl Floors:** Do not allow heat to buildup in any kind of vinyl, since it can soften it enough to affect its texture. Work fast on vinyl.

**Tile Floors:** Use the detail attachment with the small nylon detail brush attached to an extension. Have the rectangular brush with cloth attached ready as well. Clean the grout of the tile with the small nylon detail brush. Remove the detail attachment and attach the rectangular brush/ move the brush across the floor to clean the tile and remove excess moisture and residue. For areas of tile that are very dirty, remove the towel and agitate with the brush. Do not let the area dry before you wipe it up.

## Carpets

Vacuum the entire carpet area first. Use the rectangular brush with a cloth attached (you might need two terry cloth towels to eliminate drag). Move slowly over the area allowing the vapor to penetrate the carpet. The cloth will absorb the excess moisture and residue.

For spot cleaning, use the detail attachment without a brush.

Remember - the towel is your 'extractor' in this process. Do not vacuum again while the cleaned area is still damp. Do not linger too long in one place - normal back and forth motion used in cleaning a carpet prevents heat buildup in the fibers.

- |   |
|---|
| <p><b>Warning:</b></p> <ul style="list-style-type: none"><li>• Do not vacuum the carpet while it is still damp. The dirt from your vacuum cleaner may be re-deposited into the carpet.</li><li>• Some carpets do not have secured colorfast dyes. Do not start cleaning your carpet before testing first in a small inconspicuous area.</li></ul> |
|---|

## Walls

Use the rectangular brush with a terry cloth towel attached depending on the surface area to be cleaned. For painted surfaces, use the brush with a terry cloth attached to remove stains or spots.

**WARNING:** Be sure that the paint is not a water-based paint that you are cleaning. The extreme temperature may damage the finish or even remove the paint.

## Wall Paper

**Vinyl or Normal Wall Paper** - Use two terry cloth towels with rectangular brush to prevent bristles from poking their way through the towel while you are cleaning the wall. Use smooth, rapid strokes.

**Flocked Wall Paper** - Use a nozzle with no brush. Blow dirt and dust from the surface from a distance of 1" - t 1/2" to the side. Follow up with the rectangular brush, two terry cloth towels. (Heat the terry cloth towels up enough to make them moist and turn off the vapor before touching the wall paper.)

**WARNING:** When cleaning wall paper, test first on an inconspicuous corner to make sure that all dyes are color fast. Work quickly so as not to make the wall paper wet.

## Ceilings

Use the large floor brush with a terry cloth towel attached. Clean painted ceilings as you would clean a painted wall. If there is a heavy stain, you may expose the brush to get to an isolated area. Use caution where water-based paint exists.

## Window, Glass Surfaces and Mirrors

Use the glass and tile squeegee. Work with the vapor jet down using the top to bottom movements. Use the squeegee with the vapor off to clear the water from the glass. To do this without leaving streaks, use lateral movements from the top to the bottom of the surface.

**CAUTION:** When cleaning outside windows, always avoid any sudden changes in temperature to prevent breakage or cracks.

## Enameled or Stainless Steel Surfaces

Use the small nylon detail brush. Slowly move the brush over the surface to be cleaned. The vapor will emulsify the dirt and grease on the surface. Follow behind with a terry cloth towel over the brush to remove excess moisture and residue.

**Tip:** An old idea for polishing stainless steel is to wipe it down with soda water after it is cleaned.

## Soap Scum

Soap scum dissolves almost immediately under a combination of heat and moisture. Use the rectangular brush with a terry cloth towel clipped over it and move quickly. Rinse the surface with a small amount of water afterwards or go back over it once more with a clean terry cloth towel.

**Notes:** Soap scum sometimes will develop a hard surface from waterborne minerals. If this is the case, use the rectangular brush with no towel first to break up this surface - or spray or wipe first with lemon, vinegar or soda water to soften the minerals.

Moving too slowly can dry out the soap scum and cause it to granulate on the surface. The surface will have a gritty feel. If this happens, apply vapor to the surface with the open brush again and re-clean.

## **Garden Furniture**

Use any of the brushes depending on the surface area.

## **Vertical and Horizontal Blinds**

Use the rectangular brush with a terry cloth towel. Move the brush over the surface, allowing enough time for the vapor to penetrate.

For badly soiled areas, use the brush without the cloth first to loosen dirt.

## **Bathroom Areas**

To clean the bathtub or shower area, use the small nylon detail brush for grout, shower door tracks, hard to get areas and heavily soiled areas. The rectangular brush with a terry cloth towel attached will be the most efficient way to clean the rest of the area. The Steam Cleaner can be used to remove mold or mildew stains. Just allow plenty of time for the heat to penetrate the surface. This is especially helpful in the shower area if there is tile or grout.

Removal of soap scum on tile, grout, and shower doors is also easier with the Steam Cleaner.

To clean the toilet, use small nylon detail brush. Use a terry cloth towel or paper towel to wipe up excess moisture and residue.

## **Exterior Areas**

To clean your car, use the rectangular brush with a terry cloth towel attached to clean upholstery and interior areas just as in the home. You should not expose the bristles to leather - use only the brush with the terry cloth towel attached. For detailing the wheels, use the detailing attachment, the small nylon detail brush. Outer windows are cleaned best by applying the vapor with the small nylon detail brush and following with a paper towel.

To clean bicycles, use the small nylon detail brush.

To clean equipment, use the small nylon detail brush, depending on the surface area.

## **Real and Artificial Plants**

Use the detail attachment without a brush attached to blow off the dust and dirt.

## Nicotine and Tar

Nicotine and tar dissolves at high temperatures and becomes a light yellow oil that has the consistency of sewing machine oil. When the nicotine/tar film is touched by a hot terry cloth towel clipped over the rectangular brush, it immediately dissolves and flows into the towel. You can remove it from flat surfaces as fast as you can move the brush over the surface.

## Removing Wax, Tar, Etc.

Many stains are only stuck on the surface of materials and can be easily and quickly removed by “blowing” excess material away from the surface from the side. This is accomplished by using the detail attachment. Hold the terry cloth towel to the side to catch the loose residue as it is blown by the detailer.

**Note:** Always vacuum any loose residue off the surface before you apply vapor to it.

## Hints

The Steam Steam Cleaner has many uses that are not stated above. This was meant only to give you a general idea of what can be achieved with the Steam Cleaner system. However, the ways in which to use the attachments and brushes are in most cases universal. It is most helpful to always have a terry cloth towel or paper towel ready to use for removal of moisture and residue. 100% white cotton towels work best.

You can clean the brushes with your Steam Cleaner. For the larger pieces, hold at one end and use the detail attachment without a brush attached to simply blow off dirt into the garbage can. For the small detail brush, use a pair of pliers to hold and blow dirt as above or place in the basket of your dishwasher.

Use the Steam Cleaner for pet spots. It will clean urine and other stains, as well as odor, from the carpet and upholstery.

Refrigerator - Use the nozzle to blow away dirt in the ice machine and on door seals. The vapor will not dry out or crack the seals as chemicals often do. Can openers and other kitchen equipment can be easily cleaned with the nylon detail brush on the nozzle to get into all the nooks and crannies.

Mold stains around door gaskets can be removed with the small nylon detail brush.

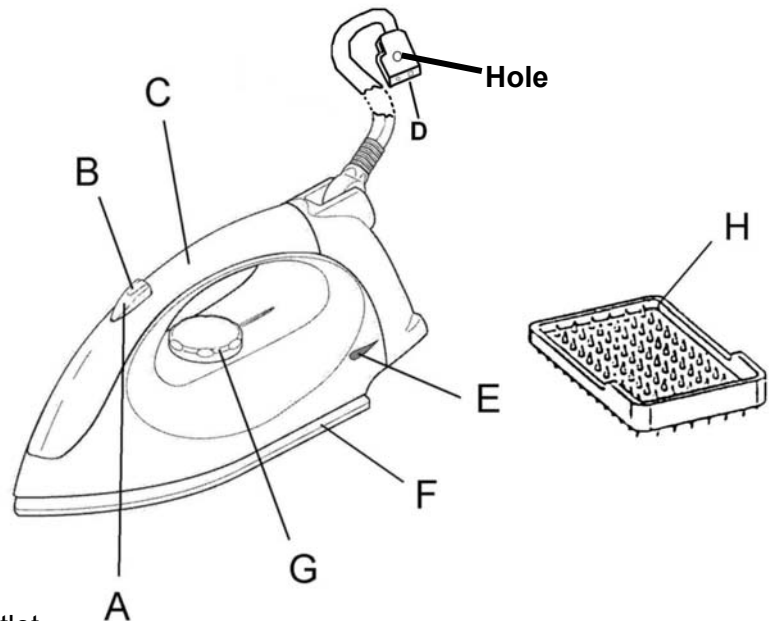
To clean microwaves or other appliances use the nylon detail brush for small areas and the rectangular brush with terry cloth towel for larger areas.

To clean counter tops, use the rectangular brush with a terry cloth towel attached. For heavily soiled areas, use the brush without the terry cloth towel first in order to loosen the debris, then follow with a terry cloth towel attached to finish.

This steam cleaner can be converted to a high quality steam ironing system.

## USING AS A STEAM IRON

- A - Steam Button
- B - Continuous Steam Lock Button
- C - Handle
- D - Steam Hose with Connection Plug
- E - Temperature Light
- F - Iron Soleplate
- G - Temperature Regulator
- H - Iron Rest



## ATTACHING YOUR STEAM IRON TO THE STEAM CLEANER

- ✎ Unplug the steam cleaner from the wall outlet.
- ✎ Disconnect the Flexible Steam Hose from the steam cleaner.
- ✎ Lift the plastic cover of the connector port (8).
- ✎ Insert the iron hose with the connection plug (D) to the connector port (8) on the unit. Lower the plastic cover. Make sure that the pin in the cover fits into the hole of the plug.
- ✎ Connect unit to the wall outlet.
- ✎ Set the temperature regulator (G) on the iron to the desired temperature in the steam range.
- ✎ Allow the iron to heat up until the Temperature Light (E) turns off, indicating it has reached the set temperature.
- ✎ You can start ironing now.
- ✎ Place the iron rest (H) on the ironing table. Always put the iron on the iron rest when not in use.
- ✎ Place the iron hose on the Steam Hose Holder (9), as shown on the front page of this instruction book.

## Ironing With Steam

For ironing with steam, make sure that the temperature is set within the area designated for use with steam, i.e. between Wool and Linen on your Temperature Regulator (G). When the chosen temperature is attained, the Temperature Light (E) will go "Off" and your iron is ready to be used. ( If you need a steady supply of steam, simply press the Continuous Steam Button (B) down and then push it backwards to lock the Steam Button (A) in. To unlock, press the Continuous Steam Button (B) down again and push it forwards.)

- Damp Steam - You can iron any fabric with damp steam as long as you turn the Temperature Regulator (G) to "Wool" setting .
- Dry Steam - With the iron temperature at the "Linen" setting, ironing will be more efficient.
- For delicate fabrics, press the Steam Button (A) before placing the iron on the fabric.
- The "Silk/Nylon" setting can not be used for steam ironing. This setting is designed only for dry ironing.

## Dry Ironing

For a ironing without steam:

- Set the Temperature Regulator (G) to the position which corresponds to the fabric you wish to iron.
- Turn the ON/OFF Switch (2) to "ON" position. The Temperature Light (E) on the iron will light up.
- As soon as the Temperature Light (E) goes off, the iron has reached the desired temperature.

**NOTE:** Do **NOT** press the Steam Button (A) when you are ironing without steam.







## Steaming Your Clothes With the Iron

- ✎ Make sure that the yellow steam light (3) is “ON”, indicating that the steam is ready.
- ✎ Make sure that the iron temperature light (E) went “ON” first indicating that the iron was heating and then turned “OFF”, indicating that the iron has reached the set temperature.
- ✎ Press the Continuous Steam button (B) down to let the steam come out of the iron.
- ✎ You can push the Continuous Steam Lock button (B) backwards to lock the steam button in. To unlock, push the Continuous Steam Lock button (B) forward.

**The maximum duration of using the iron for steaming your clothes is 5 minutes. Longer steaming might cause water drops in the steam. If you need to steam for a longer period follow the instructions listed below.**

- After steaming your garments for 5 minutes, put the iron back on its iron rest.
- Wait for the steam indicating light (3) to go “On”, showing that the steam is now ready.
- Wait for the iron temperature light (E) to go “On”, indicating that the iron is heating. Then wait for the iron temperature light (E) go “Off”, indicating that the iron has reached it set temperature.
- Now you can use your iron to steam your garments for an additional 5 minutes.

## Temperature Settings

Check article labels for instructions i.e., do not iron chlorofibre.		
FABRICS	TEMPERATURE RANGE ON THE IRON CONTROL KNOB	SUGGESTED AMOUNT OF STEAM
<b>SYNTHETIC:</b> Acetates Acrylics Acrilan Cresian Orlon Metalics Sheer Synthetic Polyester Dacron Fortrel Perma Press Nylon	MIN 	Dry Ironing (without steam)
Silk		Pure silk sometimes requires steam
Wool	 ○ ○	Humid Steam
Cotton		Normal Steam
Linen	MAX ○ ○ ○	Super dry Steam

## Ironing Tips

Wool: Just vaporize, do not pull fabrics

Silk: Just vaporize, then steam smoothly

Velvet: Iron quickly and lightly on the reverse side, using little steam, or vaporize first, then iron on the right side, hardly touching the fabric.

**CAUTION:** The iron must be hot to obtain maximum steam performance. A cold iron will give water instead of steam. Before ironing, point iron away from table, press steam release. Initial condensation will empty and you can iron without ever being concerned that condensed water will fall on garments (repeat after refilling water) or if the hose was allowed to cool for a while.

**WARNING:** Never direct steam from the iron at yourself or another person. Special care must be taken when the iron is used in a vertical position. The steam is very hot and can cause burns.

Model EP965



### LIMITED WARRANTY

**EURO-PRO** Corporation warrants this product to be free from defects in material and workmanship for a period of one (1) year from the date of purchase when utilized for normal household use by the original purchaser only. The attached Warranty Registration Card must be filled out and returned within 10 days of purchase. This is essential for your Warranty to be effective should any problem arise with this product.

Should any defect covered by the terms of the limited warranty be discovered within one year, **EURO-PRO** Corporation will repair or replace any defective part provided the unit is returned by the original purchaser, freight prepaid, to **EURO-PRO** Corporation, 178 West Service Rd., Champlain, NY 12919. Proof of purchase date and \$15.00 for handling and return packing/shipping charges must be included.\*

The liability of **EURO-PRO** Corporation is limited solely to the cost of the replacement parts or the complete unit at our option. LABOUR CHARGES ARE NOT INCLUDED.

This warranty does not cover normal wear of parts and does not apply to any unit that has been tampered with or used for commercial purposes. This Limited Warranty does not cover damage caused by misuse, negligent handling, or damage due to faulty packaging or mishandling in transit (by any common carrier).

This warranty is extended to the original purchaser of the unit and excludes all other legal and/or conventional warranties. The responsibility of **EURO-PRO** Corporation, if any, is limited to the specific obligations expressly assumed by it under the terms of the limited warranty. In no event is **EURO-PRO** Corporation liable for incidental or consequential damages of any nature whatsoever. Some States do not permit the exclusion or limitation of incidental or consequential damages, so the above may not apply to you.

This warranty gives you specific legal rights which vary from state to state.

PURCHASER \_\_\_\_\_  
DATE OF PURCHASE \_\_\_\_\_  
DEALER \_\_\_\_\_  
\_\_\_\_\_

**SERIAL No.**



\*important: Carefully pack item to avoid damage in shipping. Be sure to attach tag to item before packing with your name, complete address and phone number with note giving purchase information, model number and what you believe is the problem with item. We recommend you insure the package (as damage in shipping is not covered by your warranty). Mark the outside of your package "ATTENTION CUSTOMER SERVICE".



### OWNERSHIP REGISTRATION CARD

Please complete and return within ten (10) days of purchase in order to validate the foregoing Limited Warranty.. The registration will enable us to contact you in the event a product defect is discovered. By returning this card you acknowledge to have read and understood the instructions for use, and warnings set forth in the accompanying instructions.

RETURN TO: **EURO-PRO** Corporation, 178 WEST SERVICE RD., CHAMPLAIN, N.Y. 12919  
IN CANADA: 4400 BOIS FRANC, ST. LAURENT, QUEBEC, H4S 1A7

PURCHASER: .....

ADDRESS: .....

CITY: ..... STATE/PROV:.....

DATE OF PURCHASE: ..... MODEL: .....

SERIAL No: .....

NAME AND ADDRESS OF DEALER: .....

.....