

# euro-pro<sup>®</sup>kitchen

**16 LITER CONVECTION TOASTER OVEN  
HORNO TOSTADOR A CONVECCIÓN DE 16 LITROS  
FOUR GRILLE-PAIN À CONVECTION 16 LITRES**

**OWNER'S MANUAL  
MANUAL DEL USUARIO  
GUIDE D'UTILISATION**

**Model / Modelo / Modèle: TO160 - TO160L**  
120V., 60Hz., 1380 Watts



# IMPORTANT SAFETY INSTRUCTIONS

When using your **Convection Toaster Oven**, basic safety precautions should always be observed, including the following:

1. Read all instructions before using your **Convection Toaster Oven**.
2. Do not touch hot surfaces. Always use handles or knobs.
3. Close supervision is necessary when any appliance is used by or near children.
4. To protect against electric shock, do not immerse cord, plug or any parts of the oven in water or any other liquids.
5. Do not let cord hang over edge of table or counter, or touch hot surfaces.
6. Do not operate appliance with damaged cord or plug or after the appliance malfunctions or has been damaged in any manner. Return appliance to the nearest **EURO-PRO Operating LLC** for examination, repair or adjustment.
7. The use of accessory attachments not recommended by the appliance manufacturer may cause hazard or injury.
8. Do not place on or near a hot gas or electric burner.
9. When operating the oven, keep at least four inches of free space on all sides of the oven to allow for adequate air circulation.
10. Unplug from outlet when not in use and before cleaning. Allow to cool before putting on or taking off parts, and before cleaning.
11. To disconnect, turn the time control button to OFF, then remove the plug. Always hold the plug, and never pull the cord.
12. Extreme caution must be used when moving a drip pan containing hot oil or other hot liquids.
13. Do not cover crumb tray or any part of the oven with metal foil. This may cause the oven to overheat.
14. Use extreme caution when removing the tray, racks or disposing of hot grease or other hot liquids.
15. Do not clean the inside of the oven with metal scouring pads. Pieces can break off the pad and touch electrical parts, creating a risk of electric shock.
16. Oversized foods or metal utensils must not be inserted in a toaster oven as they may create a fire or risk of electric shock.
17. A fire may occur if the oven is covered or touching flammable material, including curtains, draperies, walls and the like when in operation. Do not place any items on the oven during operation.
18. Extreme caution should be exercised when using cooking or baking containers constructed of anything other than metal or ovenproof glass.
19. Be sure that nothing touches the top or bottom elements of the oven.
20. Do not place any of the following materials in the oven: cardboard, plastic, paper, or anything similar.
21. Do not store any materials other than manufacturer's recommended accessories in this oven when not in use.
22. This appliance is OFF when the Timer Control button is in the "OFF" position.
23. Always wear protective, insulated oven gloves when inserting or removing items from the hot oven.
24. This appliance has a tempered, safety glass door. The glass is stronger than ordinary glass and more resistant to breakage. Tempered glass can still break around the edges. Avoid scratching door surface or nicking edges.
25. Do not use outdoors.
26. Do not use appliance for other than intended use.

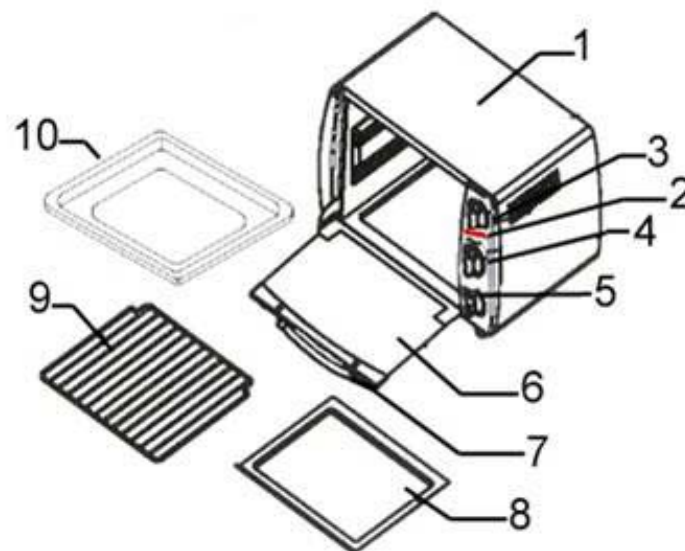
This unit has a short power supply cord to Reduce the risk resulting from becoming entangled in or tripping over a long cord. An extension cord may be used if you are careful in its use:

1. The electrical rating of the extension cord should be at least as great as the electrical rating of the appliance.
2. An extension cord with the power cord must be arranged so that it will not drape over the countertop or tabletop where they can be pulled on by children or tripped over accidentally.

## SAVE THESE INSTRUCTIONS For Household Use Only

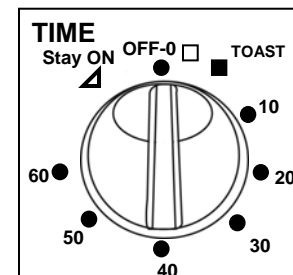
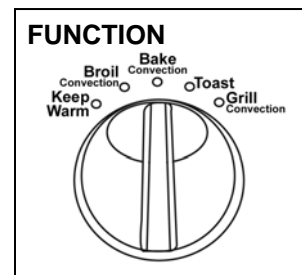
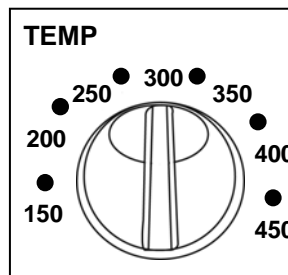
**WARNING:** To reduce the risk of electric shock, this appliance has a polarized plug (one blade is wider than the other). This plug will fit in a polarized outlet only one way. If the plug does not fit fully in the outlet, reverse the plug. If it still does not fit, contact a qualified electrician to install the proper outlet. Do not modify the plug in any way.

# GETTING TO KNOW YOUR CONVECTION TOASTER OVEN



- |                              |                           |
|------------------------------|---------------------------|
| 1. Exterior Casing           | 7. Cool Touch Door Handle |
| 2. Power on Light            | 8. Crumb Tray             |
| 3. Temperature Control Knob  | 9. Wire Rack (x2)         |
| 4. Function Control Knob     | 10. Bake Pan              |
| 5. On/Off Timer Control Knob |                           |
| 6. Tempered Glass Door       |                           |

### CONTROL PANEL



### Technical Specifications

Voltage: 120V., 60Hz.

Power: 1380 Watts

\* Illustrations may differ from actual product.

Read all the sections of this booklet and follow all the instructions carefully.

## Before Using Your Convection Toaster Oven

1. Read all of the instructions included in this manual.
2. Make sure that the oven is unplugged and the Time Control is in the "OFF" position.
3. Wash all the accessories in hot, soapy water or in the dishwasher.
4. Thoroughly dry all accessories and re-assemble in oven. Plug oven into outlet and you are ready to use your new Toaster Oven with Convection.
5. After re-assembling your oven, we recommend that you run it at the highest temperature (450° F.) on the Toast Function for approximately 15 minutes to eliminate any packing residue that may remain after shipping. This will also remove all traces of odor initially present.

**Please Note:** Initial start-up operation may result in minimal smell and smoke (about 15 minutes). This is normal and harmless. It is due to burning of the protective substance applied to the heating elements in the factory.

## Convection Cooking

Convection cooking combines hot air movement by means of a fan with the regular features (broil, bake and toast). Convection cooking provides faster cooking in many cases than regular radiant types toaster ovens. The fan gently sends air to every area of the food, quickly browning, crisping and sealing in moisture and flavor. It produces more even temperature all around the food by air movement, so that food cooks/bakes/broils evenly versus the normal ovens hot and cold spots. The convection feature allows cooking/baking at lower temperatures, which saves energy and helps keep the kitchen cooler. Convection air is superheated and it circulates around the food so it cooks food significantly faster than conventional ovens.

## Using Your Convection Toaster Oven

Please familiarize yourself with the following oven functions and accessories prior to first use:

- **Temperature Control** - Choose the desired temperature from **150° to 450° F** for baking, broiling, toasting or grilling.
- **Function Control** - This oven is equipped with five positions for a variety of cooking needs:
  - Bake w/Convection** - Cakes, pies, cookies, poultry, beef, pork, etc.
  - Toast** - Bread, muffins, frozen waffles, etc.
  - Grill w/Convection** - For grilling fish, steak, sandwiches, bacon & eggs, etc.
  - Broil w/ Convection** - For broiling fish, steak, poultry, pork chops, etc.
  - Keep Warm** - To keep cooked food warm for up to **30 minutes**.
- **Time Control** - When you turn the control to the left, (counter-clockwise), the oven will "STAY ON" until it is manually shut "OFF". To activate the timer segment of the control, turn to the right (clockwise) to toast or use as a timer. This function also has a bell that rings at the end of the programmed time.
- **Convection Fan** - The convection fan works automatically on Broil, Bake and Grill settings.
- **Power "On" Light** - It is illuminated whenever the oven is turned on.
- **Bake Pan** - For use in broiling and roasting meat, poultry, fish and various other foods.

## Using Your Convection Toaster Oven

**WARNING: TO AVOID RISK OF INJURY OR BURNS, DO NOT TOUCH HOT SURFACES WHEN OVEN IS IN USE. ALWAYS USE OVEN MITTS.**

**CAUTION: Always use extreme care when removing bake pan, wire rack or any hot container from a hot oven. Always use an oven mitt when removing hot items from the oven.**

## Broiling with Convection

The top heating elements cycle on and off to maintain maximum temperature in the oven. For best results, the oven should be preheated for 20 minutes at 450°F before adding the food to be broiled. In the convection oven, it is not necessary to turn the food because the fan circulates the hot air around the food. The food must be placed on the wire rack with the broil pan in position to catch the drippings and allow the circulation of air.

### Operation

- Set Temperature Control to 450°F.
- Turn Function Control to **Broil/Convection**.
- Preheat the oven.
- Place the Broil pan on lowest rack support.
- Place the food on the Wire Rack and slide into the Top Rack Support Guide or Middle Rack Support Guide depending on the thickness of the food that you are cooking.
- Food should be placed as close as possible to the Top Heating Element without touching it.
- Set temperature control to the appropriate temperature.
- Brush food with sauces or oil, as desired.
- Turn Time Control to position “**Stay On**”.
- It is advisable to leave the door **slightly ajar**.
- When broiling is complete, turn the Time Control to “**OFF**”.

### Broiling Guide

Cooking results may vary, adjust these times to your individual requirements. Also, check often during broiling to avoid overcooking.

MEAT	OVEN TEMP	COOKING TIME
RIB STEAK	400	20-25 min.
T-BONE STEAK	400	20-25 min.
HAMBURGER	400	15-20 min.
PORK CHOPS	400	20-25 min.
LAMB CHOPS	400	20-25 min.
CHICKEN LEGS	400	30-35 min.
FISH FILETS	350	20-25 min.
SALMON STEAKS	350	20-25 min.

**Note:** All broiling times are based on meats at refrigerator temperature. Frozen meats may take considerably longer. Therefore, use of a meat thermometer is highly recommended.

## Baking with Convection

Convection baking is very consistent and even. The fan circulates the hot air around the food making baked goods rise quickly and evenly. Bake your favorite cookies, cakes, pies, brownies, etc. The bake ware that will fit in your oven are up to 11 inches in length. We do not recommend the use of oven roasting bags or glass containers in the oven. **Never** use plastic, cardboard, paper or anything similar in the oven.

**Note:** Position the wire rack in the lowest Support Guide.

### Operation

- Place the wire rack in the **lowest or middle** Rack Support Guide depending on the height of the pan or according to the recipe.
- Place pan with item(s) to be baked on the wire rack.
- Turn the Function Control to **Bake/Convection**.
- Turn the Time Control to position “**Stay On**”.
- When baking is complete, turn the Time Control to “**OFF**”.

### Positioning of the Wire Rack

**Cookies** - Use bottom and middle Support Guides.

**Layer Cakes** - Use bottom Support Guide only (bake one at a time).

**Pies** - Use bottom Support Guide.

### Baking Cookies

For baking cookies, we suggest adjusting baking temperature and using a cookie sheet placed on the wire rack. Also, using parchment paper on a cookie sheet might prove helpful when baking certain types of cookies.

1. Pre-heat oven for 15 minutes, then place cookie sheets on the wire rack to begin baking.
2. Use parchment paper on cookie sheet so cookies will not stick.
3. Cookie sheets, baking times and temperatures may differ from those necessary when using other baking materials.

**Note:** Convection air is superheated and it circulates around the food, so it cooks food faster. When baking your favorite recipes or packaged goods, follow recipe instructions. Check the baked goods a few minutes before the shortest recommended baking time.

### Baking Guide

Follow the package or recipe instructions for baking times and temperature.

### Recommended Pan Sizes

The following recommended pan sizes should fit your Convection / Toaster Oven. To be sure pan will fit place the pan inside the oven to check before preparing your recipe.

- 6-cup muffin pan
- 8 x 4 loaf pan
- 9 x 5 loaf pan
- 8” round or square baking pan or dish
- 1-11/2 quart casserole dish – most types.

When baking in loaf pans, we recommend you do not fill more than half full.

## Toasting

Large capacity oven allows for toasting 4 to 6 slices of bread, 6 muffins, frozen waffles or frozen pancakes. When toasting only 1 or 2 items, place food on the Wire Rack in the center of the oven.

### Operation

- Set the Temperature Control to 450°F.
- Turn the Function Control to **Toast**.
- Place food to be toasted on the Wire Rack.
- Ensure Crumb Tray is in place.
- Turn the Time Control to desired time. (See suggested toast settings below).
- Bell will ring to signal the end of the Toast cycle.

**Note:** Wire Rack should be positioned in the middle of the oven with the indentations pointing down.

### Suggested Toast Settings:

Light: 4 min.  
Medium: 5 min.  
Dark: 7 min.

**CAUTION:** When toasting, do not leave food in for longer periods of time other than what is listed above. Toasting for longer than recommended times will burn food.

## Grilling with Convection

For best results, it is recommended that you preheat the oven for 15 minutes on 450°F before adding the food to be grilled. In the convection oven, it is not necessary to turn the food because the fan circulates the hot air around the food.

### Operation

- Set Temperature Control to 450°F.
- Turn Function Control to Grill w/Convection.
- Preheat the oven for 15 minutes.
- Place the bake pan on the lowest rack support.
- Place the food on the Wire Rack and slide into the Top Rack Support Guide or Middle Rack Support Guide depending on the thickness of the food that you are cooking.
- Food should be placed as close as possible to the Top Heating Element without touching it.
- Set temperature control to the appropriate temperature.
- Brush food with sauces or oil, as desired.
- Turn Time Control to position 'Stay On'.
- It is advisable to leave the door slightly ajar.
- When grilling is complete, turn the Time Control to 'OFF'.

## Keep Warm

Keep cooked food warm for up to 30 minutes. Longer periods of time are not recommended as food will become dry or will spoil.

### Operation

- Set the Temperature Control to 180°F.
- Turn the Function Control to Keep Warm.
- Turn the Time Control to "Stay On" position.
- Turn the Time Control to "Off" position when finished with Keep Warm.

**Caution:** When sliding trays out of oven, always support the rack. Do not let go until you are sure the rack is securely supported.

## Care & Cleaning

**Warning:** Be sure to unplug the oven and allow it to cool before cleaning.

To assure maximum safe operation, keep your toaster oven free of grease and build-up of food particles. Clean the inside of the walls with a damp sponge, cloth or nylon scouring pad and mild detergent. **DO NOT USE STEEL WOOL SCOURING PADS, ABRASIVE CLEANERS OR SCRAPE THE WALLS WITH A METAL UTENSIL, AS ALL OF THESE METHODS MAY DAMAGE THE FINISH.**

All accessories should be washed in hot soapy water or can be cleaned in a dishwasher. The door can be wiped with a damp sponge and wiped dry with a paper or cloth towel. Clean the outside with a damp sponge.

**DO NOT USE AN ABRASIVE CLEANER AS IT MAY DAMAGE THE EXTERIOR FINISH.**

**DO NOT USE AN ABRASIVE CLEANER OR STEEL WOOL SCOURING PAD ON THE BAKE PAN AS IT MAY DAMAGE THE PORCELAIN ENAMEL FINISH.**

**LET ALL PARTS AND SURFACES DRY THOROUGHLY PRIOR TO PLUGGING OVEN IN AND USING.**



## ONE (1) YEAR LIMITED WARRANTY

**EURO-PRO Operating LLC** warrants this product to be free from defects in material and workmanship for a period of one (1) year from the date of the original purchase, when utilized for normal household use, subject to the following conditions, exclusions and exceptions.

If your appliance fails to operate properly while in use under normal household conditions within the warranty period, return the complete appliance and accessories. For Customer Service support, call 1 (800) 798-7398 or visit our website [www.euro-pro.com](http://www.euro-pro.com).

If the appliance is found by **EURO-PRO** to be defective in material or workmanship, **EURO-PRO** will repair or replace it free of charge. Proof of purchase date and \$ 16.95 to cover the cost of return shipping and handling must be included. \*

The liability of **EURO-PRO Operating LLC** is limited solely to the cost of the repair or replacement of the unit at our option. This warranty does not cover normal wear of parts and does not apply to any unit that has been tampered with or used for commercial purposes. This limited warranty does not cover damage caused by misuse, abuse, negligent handling or damage due to faulty packaging or mishandling in transit. This warranty does not cover damage or defects caused by or resulting from damages from shipping or repairs, service or alterations to the product or any of its parts, which have been performed by a repair person not authorized by **EURO-PRO**.

This warranty is extended to the original purchaser of the unit and excludes all other legal and/or conventional warranties. The responsibility of **EURO-PRO Operating LLC** if any, is limited to the specific obligations expressly assumed by it under the terms of the limited warranty. **In no event is EURO-PRO Operating LLC** liable for incidental or consequential damages of any nature whatsoever. Some states/provinces do not permit the exclusion or limitation of incidental or consequential damages, so the above may not apply to you.

This warranty gives you specific legal rights, and you may also have other rights which vary from state to state or province to province.

**\*Important: Carefully pack item to avoid damage in shipping. Be sure to include proof of purchase date and to attach tag to item before packing with your name, complete address and phone number with a note giving purchase information, model number and what you believe is the problem with item. We recommend you insure the package (as damage in shipping is not covered by your warranty). Mark the outside of your package "ATTENTION CUSTOMER SERVICE". We are constantly striving to improve our products, therefore the specifications contained herein are subject to change without notice.**



## PRODUCT REGISTRATION CARD FOR CANADIAN CONSUMERS ONLY

Please complete and return within ten (10) days of purchase. The registration will enable us to contact you in the event a product defect is discovered. By returning this card you acknowledge to have read and understood the instructions for use, and warnings set forth in the accompanying instructions.

RETURN TO: **EURO-PRO Operating LLC**, 4400 Bois Franc, St. Laurent, Quebec H4S 1A7

TO160/TO160L

Appliance Model

Date of Purchase

Name of store

Owner's name

Address

City

Prov.

Postal Code

## INSTRUCCIONES IMPORTANTES DE SEGURIDAD

Al usar su **Horno Tostador a Convección**, siempre debe seguir precauciones básicas de seguridad, incluyendo las siguientes:

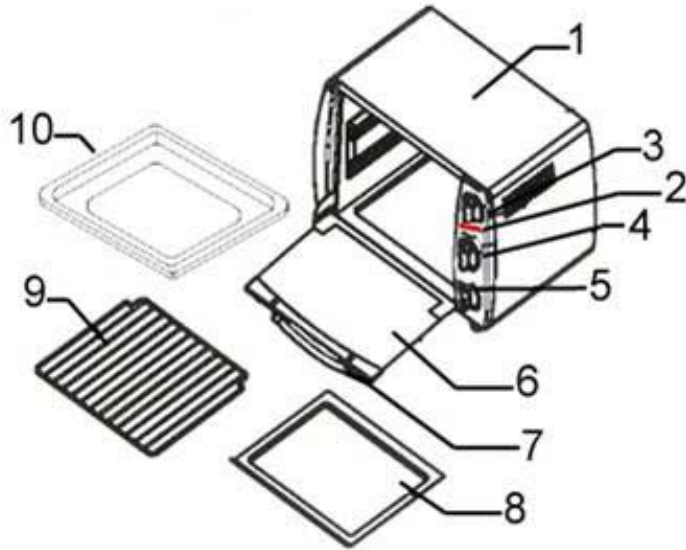
1. Lea todas las instrucciones antes de utilizar su **Horno Tostador a Convección**.
  2. No toque las superficies calientes. Utilice siempre las asas o perillas.
  3. Tenga mucho cuidado al utilizar cualquier aparato eléctrico cerca de niños.
  4. Para evitar una descarga eléctrica, no sumerja el cable o el enchufe en agua o cualquier otro líquido.
  5. No permita que el cable cuelgue sobre el borde de la mesa o mesada, o que toque superficies calientes.
  6. No utilice ningún artefacto si el cable o el enchufe están dañados o luego de una falla, o si ha sufrido cualquier tipo de daño. Retórnala a **EURO-PRO Operating LLC** para que sea examinada, reparada o ajustada.
  7. El uso de accesorios no recomendados por el fabricante puede ocasionar peligros o daños.
  8. No lo coloque sobre o cerca de un quemador a gas o eléctrico.
  9. Al utilizar el horno, mantenga por lo menos cuatro pulgadas de espacio libre en todos los costados del horno para permitir la circulación adecuada del aire.
  10. Desenchúfelo del tomacorriente cuando no lo utilice y antes de limpiarlo. Deje que se enfríe antes de ponerle o quitarle partes, y antes de limpiarlo.
  11. Para desconectarlo, gire el control de tiempo a OFF, luego desenchúfelo. Siempre sostenga el enchufe, nunca jale del cable.
  12. Debe tener mucho cuidado al mover una bandeja que contenga aceite u otros líquidos calientes.
  13. No cubra la bandeja de las migas o cualquier otra parte del horno con papel metálico. Esto puede hacer que el horno se recaliente.
  14. Tenga mucho cuidado al remover la bandeja, los estantes o al desechar grasa caliente o cualquier otro líquido caliente.
  15. No limpie el interior del horno con almohadillas metálicas. Algunas partes pueden romper la almohadilla y hacer que toque partes eléctricas, creando un riesgo de descarga eléctrica.
  16. No debe introducir alimentos demasiado grandes o utensilios de metal dentro del horno ya que podrían originar un incendio o el riesgo de una descarga eléctrica.
  17. Se podría originar un incendio si el horno está tocando materiales inflamables, incluyendo cortinados, ropas, paredes u otros similares mientras está funcionando. No coloque nada en el horno cuando esté encendido.
  18. Debe tener mucho cuidado al utilizar recipientes para cocinar u hornear de cualquier otro material que no sea metal o vidrio apto para horno.
  19. Asegúrese de que nada entre en contacto con los elementos superiores e inferiores del horno.
  20. No coloque ninguno de los siguientes materiales en el horno: cartón, plástico, papel o similares
  21. No guarde ningún material que no sea los accesorios recomendados por el fabricante en el horno cuando no lo use.
  22. Este artefacto está APAGADO cuando la perilla del Control de Tiempo está en la posición "OFF".
  23. Use siempre guantes protectores, aislantes para horno al colocar o remover objetos calientes del horno.
  24. Este artefacto tiene una puerta de vidrio templado de seguridad. Este vidrio es más fuerte que el vidrio común y más resistente a las roturas. Sin embargo, puede llegar a romperse en los bordes. Evite rayar la superficie de la puerta o golpear sus bordes.
  25. No lo utilice en el exterior.
  26. No utilice el artefacto para ningún otro uso distinto al indicado.
- Esta unidad tiene un cable de alimentación corto para reducir el riesgo de enredarse o tropezarse con un cable más largo. Un cable de extensión puede utilizarse con cuidado:
1. La capacidad eléctrica del cable de extensión debe ser por lo menos igual al consumo del artefacto.
  2. No debe permitir que el cable de extensión cuelgue de la mesada o mesa de tal forma que pueda ser jalado por niños o causar que alguien se tropiece.

## CONSERVE ESTAS INSTRUCCIONES

Para Uso Doméstico Solamente

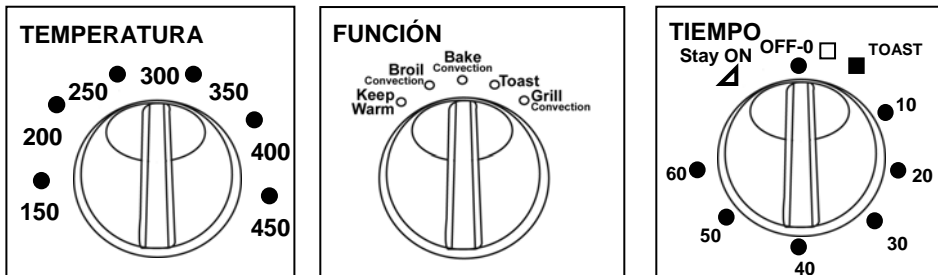
**ADVERTENCIA:** Para reducir el riesgo de una descarga eléctrica, este artefacto posee un enchufe polarizado (una pata es más ancha que la otra). Este enchufe entra completamente en un tomacorriente polarizado en una sola posición. De no ser así, inviértalo, y si aún así no entra completamente, llame a un electricista calificado para que instale un tomacorriente apropiado. No intente modificar el enchufe de ninguna manera.

## PARTES DE SU HORNO TOSTADOR A CONVECCIÓN



- |  |                                      |
|--|--------------------------------------|
| 1. Cubierta exterior                             | 7. Manija de toque frío de la puerta |
| 2. Luz de Encendido                              | 8. Bandeja para las migas            |
| 3. Perilla de control de temperatura             | 9. Estante de alambre (x2)           |
| 4. Perilla de control de función                 | 10. Bandeja de cocción               |
| 5. Perilla de encendido/apagado del temporizador |                                      |
| 6. Puerta de vidrio templado                     |                                      |

### PANEL DE CONTROL



### Especificaciones Técnicas

Voltaje: 120V., 60Hz.  
Potencia: 1380 Vatios

\* El dibujo puede no ser igual al producto real.

Lea todas las secciones de este manual y siga todas las instrucciones cuidadosamente.

## Antes de Utilizar su Horno Tostador a Convección

1. Lea todas las instrucciones de este manual.
2. Verifique que el horno esté desenchufado y que el control de tiempo esté en la posición "OFF".
3. Lave todos los accesorios con agua caliente jabonosa o en el lava vajillas.
4. Seque completamente todos los accesorios y vuelva a colocarlos en el horno. Enchufe el horno y ya está listo para usar su nuevo Horno Tostador a Convección.
5. Luego de armar su horno, le recomendamos hacerlo funcionar a la temperatura más alta (450° F) en el modo tostador por unos 15 minutos para eliminar cualquier resto de material de empaque que haya podido quedar. Esto también quitará cualquier olor que pudiera estar presente al principio.

**Observaciones:** La primera operación puede generar un poco de olor y humo (unos 15 minutos). Esto es normal e inofensivo. Es originado por el quemado de la sustancia protectora que se coloca sobre los elementos calefactores al fabricarlos.

## Cocción con Convección

La cocción con convección combina el movimiento de aire caliente por un ventilador con las operaciones normales (asado, horneado y tostado). La cocción con convección proporciona una cocción más rápida que la de hornos convencionales a radiación para la mayoría de los casos. El ventilador envía aire a toda la superficie de los alimentos, dejándolos rápidamente dorados, crocantes y atrapando la humedad y el sabor. Produce una temperatura más pareja alrededor de toda la comida debido al movimiento del aire, de modo que los alimentos se cocinan/hornean/tuestan más parejo comparado con las zonas calientes y frías de los hornos comunes. La función de convección permite asar/hornear a temperaturas más bajas, lo que ahorra energía y ayuda a mantener más fría la cocina. El aire convección de sobrecalienta y circula alrededor de la comida por lo tanto cocina los alimentos mucho más rápido que los hornos convencionales.

## Uso de su Horno Tostador a Convección

Debe familiarizarse con las siguientes funciones y accesorios del horno antes de usarlo:

- **Control de temperatura** – Escoja la temperatura deseada desde **150° a 450° F** para cinar, hornear, tostar o asar.
- **Control de Función** – Este horno viene con cinco posiciones para cubrir todas las necesidades de cocción:
  - Bake w/Convection** – Tortas, pasteles, galletas, aves, carne, cerdo, etc.
  - Toast** – Pan, muffins, waffles, congelados, etc.
  - Grill w/Convection** – Para asar pescado, bifes, sándwiches, huevos con tocino, etc.
  - Grill w/Convection** – Para asar pescado, bifes, sándwiches, huevos con tocino, etc.
  - Keep Warm** – Para mantener la comida cocida caliente hasta **30 minutos**.
- **Control de Tiempo** – Cuando gira el control hacia la izquierda (sentido contra horario), el horno permanecerá encendido (Stay On) hasta que lo apague manualmente. Para activar el temporizador, gírelo hacia la derecha (sentido horario) para tostar o para usarlo como temporizador. Esta función también tiene una campana que suena al terminar el tiempo programado.
- **Ventilador de Convección** – El ventilador de convección funciona automáticamente en las funciones de Broil, Bake y Grill.
- **Luz de Encendido** – Se ilumina siempre que el horno esté en funcionamiento.
- **Bandeja de cocción** – Para cocinar carnes, aves, pescado y otras comidas.

## Uso de su Horno Tostador a Convección

**ADVERTENCIA:** PARA EVITAR EL RIESGO DE HERIDAS O QUEMADURAS, NO TOQUE LAS SUPERFICIES CALIENTES CUANDO EL HORNO ESTÉ ENCENDIDO. USE SIEMPRE GUANTES PARA HORNO.

**Advertencia:** Tenga siempre mucho cuidado al quitar la bandeja de cocción, el estante de alambre o cualquier otro recipiente del horno caliente. Use siempre guantes para horno al quitar objetos calientes del horno.

## Asado con Convección

El elemento calefactor superior se enciende y apaga para mantener la temperatura máxima del horno. Par obtener mejores resultados, debe precalentar el horno por 20 minutos a 450°F antes de agregarle los alimentos a asar. No es necesario dar vuelta los alimentos en un horno a convección ya que el ventilador hace que el aire caliente circule alrededor de los alimentos. Debe colocar los alimentos en el estante de alambre con la bandeja de cocción colocada para que acumule las gotas y permitir la circulación del aire.

### Operación

- Ajuste el control de temperatura a 450°F.
- Gire el control de función a **Broil con convección**.
- Precaliente el horno.
- Coloque la bandeja asadora en el estante más bajo.
- Coloque los alimentos en el estante de alambre y colóquelo en el soporte de arriba o en el del medio dependiendo del espesor de los alimentos que esté cocinando.
- Los alimentos deben colocarse lo más cerca posible del elemento calefactor superior sin llegar a tocarlo.
- Ajuste el control de temperatura como lo desee.
- Recubra los alimentos con salsas o aceite, si lo desea.
- Gire el Control de Tiempo a la posición "**Stay On**".
- Le recomendamos dejar la puerta **levemente abierta**.
- Una vez que haya terminado de cocinar, gire el control de tiempo a "**OFF**".

### Guía de Asado

Los resultados pueden variar, ajuste estos tiempos de acuerdo con sus necesidades individuales. También, verifique los alimentos seguido durante el asado para evitar que se asen de más.

CARNE	TEMPERATURA DEL HORNO	TIEMPO DE COCCIÓN
BIFE DE COSTILLA	400	20-25 min.
CHULETA	400	20-25 min.
HAMBURGUESAS	400	15-20 min.
CHULETAS DE CERDO	400	20-25 min.
CORDERO	400	20-25 min.
PATAS DE POLLO	400	30-35 min.
FILETE DE PESCADO	350	20-25 min.
BIFES DE SALMÓN	350	20-25 min.

**Nota:** Todos los tiempos de cocción están basados en las carnes a temperaturas de heladera. Las carnes congeladas pueden tardar mucho más. Por lo tanto, le recomendamos usar un termómetro para carnes.



## Horno con Convección

El horneado con convección es muy consistente y parejo. El ventilador hace circular el aire caliente alrededor de los alimentos haciendo que se eleven rápidamente y de forma pareja.

Hornee sus galletas favoritas, tortas, pasteles, brownies, etc. Puede colocar recipientes de hasta 11 pulgadas de largo en su horno. No le recomendamos utilizar bolsas para hornear o recipientes de vidrio en su horno. **Nunca** utilice plástico, cartón, papel o algo similar en el horno.

**Nota:** Coloque el estante de alambre en las guías más bajas.

### Operación

- Coloque el estante de alambre en la posición **más baja o en el medio**, dependiendo de la altura de la olla o de las indicaciones de la receta.
- Coloque la olla con los elementos a hornear en el estante de alambre.
- Gire el Control de Funciones a **Bake/Convection** (hornear con convección).
- Gire el Control de Tiempo a la posición **“Stay On”**.
- Una vez que haya terminado de cocinar, gire el control de tiempo a **“OFF”**.

### Posición del estante de alambre

**Galletas** – Use la posición más baja o la del medio.

**Pasteles de Capas** - Use la posición más baja únicamente (hornee una por vez).

**Tortas** - Use la posición más baja.

### Horneado de Galletas

Para hornear galletas, le recomendamos ajustar la temperatura del horno y colocar una bandeja para galletas sobre el estante de alambre. También, es conveniente utilizar papel manteca sobre la bandeja al hornear ciertos tipos de galletas.

1. Precaliente el horno durante 15 minutos, luego coloque bandejas de galletas sobre el estante de alambre para comenzar a hornearlas.
2. Use papel manteca sobre la bandeja para que no se peguen las galletas.
3. Las bandejas de galletas, tiempos de cocción y temperatura pueden variar al utilizar otros materiales de horneado.

**Nota:** El aire de convección es sobrecalentado y circula alrededor de los alimentos, por lo tanto cocina los alimentos hasta. Al cocinar sus recetas preferidas o alimentos empaquetados, siga las instrucciones de la receta. Revise los alimentos horneados unos minutos antes del tiempo mínimo recomendado.

### Guía de Horneado

Siga las instrucciones del paquete o la receta con respecto al tiempo y temperatura de horneado.

### Tamaños de Fuentes Recomendados

Los siguientes tamaños recomendados de fuentes entrarán en su Horno Tostador a Convección.

Para asegurarse de que la fuente entrará en el horno, colóquela en el horno antes de preparar la receta.

Bandeja para muffins de 6 unidades

Bandeja de 8 x 4

Bandeja de 9 x 5

Plato o bandeja redonda o cuadrada de 8”

Cacerola de 1-11/2 litros – casi todas

Al hornear en bandejas, le recomendamos no llenarlas más de la mitad.

## Tostador

La gran capacidad del horno permite tostar de 4 a 6 rodajas de pan, 6 panques, waffles o crepés congelados. Al tostar solo 1 o 2 artículos, colóquelos en el estante de alambre en el centro del horno.

### Operación

- Ajuste el control de temperatura a 450°F.
- Gire el Control de Funciones a **Toast** (tostar).
- Coloque los alimentos a tostar en el estante de alambre.
- Verifique que la bandeja para las migas esté en su lugar.
- Gire el control de tiempo al tiempo deseado. (Vea los tiempos de tostado sugeridos más abajo).
- Sonará una campana para indicarle la finalización del ciclo de tostado.

**Nota:** El estante de alambre debe colocarse en el medio del horno con las hendiduras apuntando hacia abajo.

### Tiempos Sugeridos de Tostado:

Ligero: 4 min.

Mediano: 5 min.

Oscuro: 7 min.

**CUIDADO:** Al tostar, no deje los alimentos en el horno por tiempos mayores a los indicados más arriba. El tostarlos por tiempos mayores a los recomendados los quemará.

## Asador con Convección

Para obtener un mejor resultado le recomendamos precalentar el horno por 15 minutos a 450°F antes de colocar los alimentos en la parrilla. No es necesario dar vuelta los alimentos en un horno a convección ya que el ventilador hace que el aire caliente circule alrededor de los alimentos.

### Operación

- Ajuste el control de temperatura a 450°F.
- Gire el control de función a Grillo con convección.
- Precaliente el horno durante 15 minutos.
- Coloque la bandeja asadora en el estante más bajo.
- Coloque los alimentos en el estante de alambre y colóquelo en el soporte de arriba o en el del medio dependiendo del espesor de los alimentos que esté cocinando.
- Los alimentos deben colocarse lo más cerca posible del elemento calefactor superior sin llegar a tocarlo.
- Ajuste el control de temperatura como lo desee.
- Recubra los alimentos con salsas o aceite, si lo desea.
- Gire el Control de Tiempo a la posición **“Stay On”**.
- Le recomendamos dejar la puerta levemente abierta.
- Una vez que haya terminado de cocinar, gire el control de tiempo a **“OFF”**.

## Mantener Caliente

Mantiene la comida cocida caliente por hasta 30 minutos. No se recomiendan períodos más largos ya que la comida se secará o arruinará.

### Operación

- Ajuste el control de temperatura a 180°F.
- Gire el Control de Funciones a Keep Warm (Mantener Caliente).
- Gire el Control de Tiempo a la posición "Stay On".
- Gire el Control de Tiempo a la posición "Off" (apagado) cuando termine de usar la función "Keep Warm".

**Cuidado:** Al deslizar las bandejas hacia afuera del horno, sostenga siempre el estante. No lo suelte hasta que esté seguro de que el estante esté sostenido adecuadamente.

## Cuidado y Limpieza

**Advertencia:** Asegúrese de desenchufar el horno y dejarlo enfriar antes de limpiarlo.

**NO UTILICE ALMOHADILLAS DE LANA DE ACERO, LIMPIADORES ABRASIVOS O RASPE LAS PAREDES CON UTENSILIOS METÁLICOS, YA QUE TODOS ESTOS MÉTODOS PUEDEN DAÑAR EL RECUBRIMIENTO AUTOLIMPIANTE.**

Todos los accesorios deben lavarse con agua caliente jabonosa o pueden lavarse en el lavavajillas. La puerta puede repasarse con una esponja húmeda y secarse con una toalla de papel o de tela. Limpie el exterior con una esponja húmeda.

**NO UTILICE UN LIMPIADOR ABRASIVO YA QUE PUEDE DAÑAR LA TERMINACIÓN EXTERNA.**

**NO UTILICE LIMPIADORES ABRASIVOS O ALMOHADILLAS DE LANA DE ACERO PARA LIMPIAR LA BANDEJA DE COCCIÓN YA QUE PUEDEN DAÑAR LA TERMINACIÓN DE ESMALTE DE PORCELANA. PERMITA QUE TODAS LAS PARTES Y SUPERFICIES SE SEQUEN COMPLETAMENTE ANTES DE VOLVER A ENCHUFAR Y USAR EL HORNO.**

Modelos  
TO160/TO160L

# EURO-PRO

## GARANTÍA LIMITADA DE UN (1) AÑO

**EURO-PRO Operating LLC** garantiza este producto contra defectos de materiales y mano de obra por un término de un (1) año a partir de la fecha de compra original, siempre que sea utilizado para uso doméstico normal, sujeto a las siguientes condiciones, exclusiones y excepciones.

Si su artefacto no funciona correctamente al utilizarlo bajo condiciones domésticas normales dentro del período de garantía, devuelva el artefacto completo y los accesorios. Por servicio al cliente, llame al 1 (800) 798-7398 o visite nuestro sitio Web [www.euro-pro.com](http://www.euro-pro.com).

Si **EURO-PRO** determina que el artefacto presenta un defecto de materiales o mano de obra, lo reparará o reemplazará sin cargo. El envío debe incluir un comprobante de la fecha de compra y \$16.95 para cubrir los gastos de envío. \*

La responsabilidad de **EURO-PRO Operating LLC** se limita únicamente al costo de reparación o reemplazo de la unidad, a nuestro criterio. Esta garantía no cubre el desgaste normal de las partes y no cubre ninguna unidad que haya sido alterada o utilizada con fines comerciales. Esta garantía limitada no cubre daños ocasionados por uso inadecuado, abuso, negligencia o daños causados por embalaje inapropiado o maltrato durante el transporte. Esta garantía no cubre daños o defectos causados o resultantes durante el transporte para su reparación o alteraciones del producto o cualquiera de sus partes, realizadas por una persona no autorizada por **EURO-PRO**.

Esta garantía es válida para el comprador original del producto y excluye cualquier otra garantía legal y/o convencional. La responsabilidad de **EURO-PRO Operating LLC**, de existir, se limita a las obligaciones específicas asumidas expresamente bajo los términos de esta garantía limitada. Bajo ninguna circunstancia **EURO-PRO Operating LLC** será responsable por daños incidentales o indirectos de ninguna clase. Algunos estados/provincias no permiten la exclusión o limitación de daños consiguientes o incidentales, por lo tanto lo anterior puede no ser válido para usted.

Esta garantía le otorga derechos legales específicos, y usted puede también tener otros derechos los que varían de estado a estado o de provincia a provincia.

**\*Importante:** Embale el producto cuidadosamente para evitar daños durante el transporte. Asegúrese de incluir un comprobante de la fecha de compra y de colocarle una etiqueta al producto con su nombre, dirección completa y número de teléfono, una nota proporcionando información de la compra, número de modelo y una descripción del problema. Le recomendamos asegurar el paquete (puesto que la garantía no cubre daños de envío). Escriba en el exterior del paquete "ATTENTION CUSTOMER SERVICE". Nosotros nos esforzamos constantemente en mejorar nuestros productos, por lo tanto las especificaciones aquí indicadas pueden cambiar sin previo aviso.



## TARJETA DE REGISTRO DEL PRODUCTO SÓLO PARA CONSUMIDORES CANADIENSES

Por favor, complete y envíe dentro de los diez (10) días de compra. Este registro nos permitirá ponernos en contacto con usted en el caso de que descubramos un defecto en el producto. Retornando esta tarjeta usted reconoce haber leído y entendido las instrucciones de uso y advertencias incluidas en estas instrucciones.

ENVIAR A: **EURO-PRO Operating LLC**, 4400 Bois Franc, St. Laurent, Quebec H4S 1A7

TO160/TO160L

Modelo del Artefacto

Fecha de Compra

Nombre del Comercio

Nombre del Usuario

Domicilio

Ciudad

Provincia

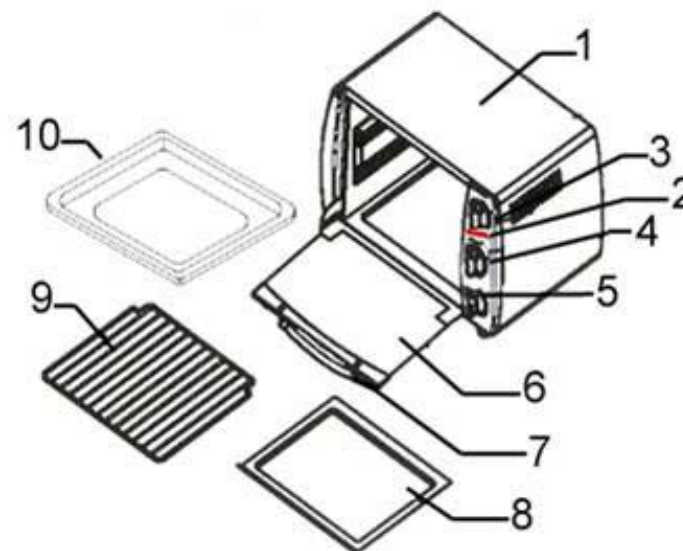
Código Postal

# CONSIGNES DE SÉCURITÉ IMPORTANTES

Lors de l'utilisation de votre **four grille-pain à convection**, des précautions élémentaires doivent être observées:

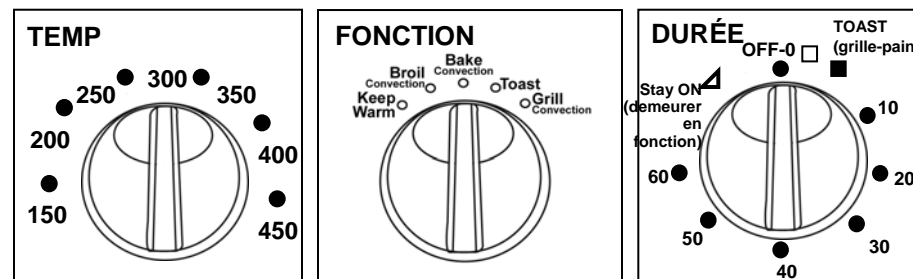
- Avant d'utiliser votre **four grille-pain à convection**, lisez toutes les directives.
  - Ne touchez pas aux surfaces chaudes. Utilisez toujours les poignées.
  - Une surveillance attentive est nécessaire lorsque tout appareil est utilisé par des enfants ou à proximité.
  - Pour éviter les risques d'électrocution, évitez d'immerger l'appareil, son cordon, sa fiche ou tout autre composant.
  - Ne laissez pas le cordon traîner sur le dessus d'une table ou d'un comptoir. Ne le laissez pas entrer en contact avec des surfaces chaudes.
  - N'utilisez pas l'appareil si l'appareil, sa fiche ou son cordon sont endommagés, ou si l'appareil ne fonctionne pas correctement. Retournez l'appareil à **EURO-PRO Operating LLC** pour vérification, réparation ou réglage.
  - L'utilisation d'accessoires non recommandés par le fabricant peuvent entraîner des accidents ou causer des blessures.
  - Ne placez pas l'appareil sur ou près d'un brûleur au gaz ou électrique.
  - Lorsque vous utilisez le four, laissez un espace libre d'au moins quatre pouces de chaque côté du four afin d'assurer une circulation d'air adéquate.
  - Débranchez lorsque vous ne l'utilisez pas et avant de le nettoyer. Laissez l'appareil refroidir avant de le nettoyer ou d'y insérer ou d'en retirer toute pièce.
  - Pour débrancher, mettez le bouton de fonctionnement à la position « OFF » et retirez la fiche de la prise. Tenez toujours la fiche et ne tirez jamais sur le cordon.
  - Soyez extrêmement prudent lorsque vous déplacez une casserole contenant de l'huile ou d'autres liquides chauds.
  - Ne recouvrez aucune pièce du four de papier d'aluminium. Ceci pourrait faire surchauffer le four.
  - Soyez extrêmement prudent lorsque vous retirez le plateau ou les grilles ou lorsque vous jetez de la graisse ou autres liquides chauds.
  - Ne nettoyez pas l'intérieur du four avec de la laine d'acier. Des morceaux pourraient se séparer de la laine et toucher aux composants électriques, augmentant le risque d'électrocution.
  - L'insertion d'ustensile de grand format ou de métal dans le grille-pain peut causer un incendie ou un choc électrique.
  - Un incendie peut se produire si le four est couvert ou s'il est en contact avec des produits inflammables, tels que les rideaux, tapisseries, murs, etc., pendant qu'il est en fonction. Ne déposez aucun article sur le four pendant qu'il fonctionne.
  - Soyez extrêmement prudent lorsque vous utilisez des contenants ou des ustensiles faits de matériaux autres que le métal ou le verre résistant à la cuisson.
  - Assurez-vous que rien n'est en contact avec les éléments supérieur ou inférieur du four.
  - Ne déposez aucun des produits suivants dans le four: carton, plastique, papier, ou autre produit semblable.
  - Lorsque le four n'est pas en fonction, n'y rangez aucun produit autre que les accessoires recommandés par le fabricant.
  - Cet appareil est ÉTEINT lorsque le bouton de fonctionnement est à la position « OFF ».
  - Portez toujours des gants de protection isolants pour insérer ou retirer des articles du four lorsqu'il est chaud.
  - Cet appareil est doté d'une porte de sécurité de verre trempé. Ce verre est plus résistant que le verre ordinaire et risque moins de se casser. Le verre trempé peut toutefois se casser près des bords. Évitez de gratter la surface de la porte ou d'entailler les bords.
  - N'utilisez pas l'appareil à l'extérieur.
  - N'utilisez l'appareil qu'à ce pour quoi il a été conçu.
- Cet appareil est doté d'un cordon d'alimentation court afin de réduire les risques de s'emmêler dans le cordon ou de trébucher. Une rallonge doit être utilisée avec prudence:
- La valeur nominale de la rallonge doit être égale ou supérieure à la valeur nominale de l'appareil.
  - La rallonge et le cordon d'alimentation doivent être placés de façon à ne pas tomber par-dessus le comptoir ou la table, afin d'éviter de trébucher et afin de le garder hors de la portée des enfants.

# FAMILIARISEZ-VOUS AVEC VOTRE FOUR GRILLE-PAIN À CONVECTION



- |  |                              |
|--|------------------------------|
| 1. Boîtier extérieur                     | 7. Poignée froide au toucher |
| 2. Témoin d'alimentation                 | 8. Plateau à miettes         |
| 3. Bouton de réglage de température      | 9. Grille (x 2)              |
| 4. Bouton de fonction                    | 10. Plateau de grillage      |
| 5. Bouton de température et de minuterie |                              |
| 6. Porte de verre trempé                 |                              |

## PANNEAU DE CONTRÔLE



## Spécifications techniques

Tension: 120 V, 60 Hz

Intensité: 1380 watts

\* Les illustrations peuvent différer de l'appareil lui-même.

# CONSERVEZ CES INSTRUCTIONS

## Pour usage domestique seulement

**AVERTISSEMENT:** Afin de réduire les risques de choc électrique, cet appareil est doté d'un cordon à fiche polarisée (une lame est plus large que l'autre). Cette fiche ne s'insère que dans un seul sens dans une prise polarisée. Si la fiche ne s'insère pas dans la prise, retournez la fiche. Si elle ne s'adapte toujours pas, contactez un électricien qualifié afin d'installer la prise appropriée. N'altérez la fiche d'aucune façon.

Lisez tout ce guide et suivez attentivement toutes les instructions.

## Avant d'utiliser votre four grille-pain à convection

1. Lisez toutes les instructions de ce guide.
2. Assurez-vous que le four est débranché et que le bouton de minuterie est à la position « OFF » (arrêt).
3. Nettoyez tous les accessoires à l'eau savonneuse chaude ou au lave-vaisselle.
4. Séchez complètement tous les accessoires et remettez-les dans le four. Branchez le four à l'alimentation. Vous êtes prêt à utiliser votre nouveau four grille-pain à convection.
5. Après l'assemblage de votre four, nous vous recommandons de le faire fonctionner à la température maximale (450° F) de la fonction de grille-pain durant environ 15 minutes afin d'éliminer tout résidu. Ceci éliminera en outre toute trace d'odeur initiale.

**Remarque:** Le démarrage initial peut causer une odeur et une fumée minimale durant environ 15 minutes. Ceci est normal et sans danger. Ce phénomène est causé par le brûlage de l'enduit protecteur appliqué aux éléments chauffants en usine.

## Cuisson à convection

La cuisson à convection combine les mouvements d'air chaud d'un ventilateur aux fonctions habituelles (gril, cuisson et grille-pain). Dans bien des cas, la cuisson à convection est plus rapide que celle des fours grilles-pain à éléments radiants. Le ventilateur fait circuler l'air doucement dans chaque recoin du four, brunissant, croustillant et enfermant l'humidité et la saveur. La convection permet une température plus égale tout autour de la nourriture à l'aide du mouvement d'air, de façon à ce que la nourriture cuise ou grille de façon égale, contrairement aux fours réguliers qui présentent des endroits chauds et froids. La fonction de convection permet de cuire à des températures plus faibles, ce qui sauve de l'énergie et garde la cuisine plus fraîche. L'air de convection est surchauffée et circule autour de la nourriture. La cuisson est donc beaucoup plus rapide que celle des fours conventionnels.

## Utilisation de votre four grille-pain à convection

Veillez vous familiariser avec les fonctions et les accessoires suivants de votre four avant sa première utilisation:

- **Réglage de température** - Choisissez la température désirée entre **150° F** et **450° F** pour la cuisson, le gril ou le grille-pain.
- **Commande de fonction** - Ce four est doté de cinq positions pour combler divers besoins de cuisson:
  - Bake w/Convection** (cuisson à convection) - Gâteaux, tartes, biscuits, volaille, boeuf, porc, etc.
  - Toast** (grille-pain)- Pain, muffins, gaufres surgelées, etc.
  - Grill w/Convection (grille-pain à convection)** - Poisson, steak, sandwich, côtelettes de porc, etc.
  - Broil w/Convection (gril à convection)**- Poisson, steak, volaille, côtelettes de porc, etc.
  - Keep Warm** (réchaud) - Conservez la chaleur des plats cuits **jusqu'à 30 minutes**.
- **Minuterie** - Lorsque vous tournez la commande vers la gauche (sens antihoraire), le four demeure en fonction (« STAY ON ») jusqu'à ce qu'il soit éteint manuellement (« OFF »). Pour activer la portion de minuterie de la commande, tournez le bouton vers la droite (sens horaire) pour le grille-pain ou la minuterie. Cette fonction est aussi dotée d'une cloche qui sonne à la fin de la durée programmée.
- **Ventilateur à convection** - Le ventilateur à convection se met en marche automatiquement durant la cuisson, le gril et le grille-pain.

## Utilisation de votre four grille-pain à convection

- **Témoin « ON »** - S'allume lorsque le four est en fonction.
- **Plateau de grillage** - Pour faire griller et rôtir les viandes, la volaille, le poisson et autres.

**AVERTISSEMENT: AFIN DE RÉDUIRE LES RISQUES DE BLESSURE OU DE BRÛLURE, NE TOUCHEZ PAS AUX SURFACES CHAUDES LORSQUE LE FOUR EST EN FONCTION. UTILISEZ TOUJOURS DES GANTS DE CUISSON.**

**MISE EN GARDE: Soyez toujours extrêmement prudent lorsque vous retirez la rôtissoire, la grille ou tout récipient chaud d'un four. Utilisez toujours des gants de cuisine lorsque vous retirez des articles chauds du four.**

## Gril à convection

Les éléments chauffants supérieurs s'allument et s'éteignent afin de conserver la température maximale dans le four. Pour de meilleurs résultats, le four devrait être préchauffé à 450° F durant 20 minutes avant de mettre de la nourriture à griller. Il n'est pas nécessaire de retourner les aliments dans le four à convection: le ventilateur fait circuler l'air chaud autour de la nourriture. Les aliments doivent être placés sur la grille dans le plateau de grillage afin de permettre la circulation de l'air.

### Fonctionnement

- Réglez la température à 450° F.
- Tournez le bouton de fonction à la position « **Broil/Convection** » (gril).
- Préchauffez le four.
- Placez le plateau de grillage sur le porte-grille inférieur.
- Placez les aliments sur la grille faites-la glisser sur le porte-grille supérieur ou intermédiaire, selon l'épaisseur du plat à cuire.
- La nourriture devrait être placée le plus près possible de l'élément chauffant supérieur, sans y toucher.
- Réglez à la température désirée.
- Badigeonnez la nourriture avec des sauces ou de l'huile, si désiré.
- Tournez la minuterie à la position « **Stay On** » (demeurer en fonction).
- Laissez la porte **légèrement entrouverte**.
- Une fois la cuisson terminée, tournez la minuterie à la position « **OFF** » (arrêt).

### Guide de gril

Les résultats peuvent varier. Ajustez la durée de cuisson selon vos besoins. En outre, vérifiez souvent le gril afin d'éviter de trop cuire.

VIANDE	TEMPÉRATURE	DURÉE
BIFTECK DE CÔTE	400	20-25 min.
BIFTECK D'ALOYAU	400	20-25 min.
HAMBOURGEOIS	400	15-20 min.
CÔTELETTES DE PORC	400	20-25 min.
CÔTELETTES D'AGNEAU	400	20-25 min.
CUISSES DE POULET	400	30-35 min.
FILETS DE POISSON	350	20-25 min.
DARNES DE SAUMON	350	20-25 min.

**Remarque:** Toutes les durées de cuisson sont basées sur des viandes réfrigérées. Les viandes surgelées peuvent nécessiter une durée plus longue. L'utilisation d'un thermomètre à viande est donc fortement recommandée.

## Cuisson à convection

La cuisson à convection est constante et égale. Le ventilateur fait circuler l'air chaud autour de la nourriture, faisant rapidement et également lever les plats cuisinés. Faites cuire vos recettes préférés de biscuits, gâteaux, tartes, etc. Votre four peut contenir de la vaisselle de longueur maximale de 11 pouces. L'utilisation de sacs de cuisson ou de récipients de verre dans le four n'est pas recommandé. **N'utilisez jamais** de plastique, carton ou autre produit semblable dans le four.

**Remarque:** Placez la grille sur le porte-grille inférieur.

### Fonctionnement

- Placez la grille sur le porte-grille **inférieur ou intermédiaire** selon la hauteur de votre plat, ou selon la recette.
- Placez le plateau avec les articles à cuire sur la grille.
- Tournez le bouton de fonction à la position « **Bake/Convection** » (cuisson à convection).
- Tournez la minuterie à la position « **Stay On** » (demeurer en fonction).
- Une fois la cuisson terminée, tournez la minuterie à la position « **OFF** » (arrêt).

### Position de la grille

**Biscuits** - Utilisez les portes-grille inférieur et intermédiaire.

**Gâteaux à étage** - Utilisez le porte-grille inférieur (faites cuire un étage à la fois).

**Tartes** - Utilisez le porte-grille inférieur.

### Cuisson des biscuits

Pour la cuisson des biscuits, nous vous suggérons de régler la température de cuisson et d'utiliser une plaque à biscuits sur la grille. En outre, l'utilisation d'un papier à cuisson sur la plaque à biscuits pourra s'avérer utile pour certains types de biscuits.

1. Préchauffez le four pendant 15 minutes. Placez la plaque à biscuits sur la grille.
2. Utilisez un papier à cuisson sur la plaque à biscuits afin de les empêcher de coller.
3. Les plaques à biscuits, durées de cuisson et températures peuvent varier de celles nécessaires à d'autres produits de cuisson.

**Remarque:** L'air de convection est surchauffée et circule autour de la nourriture, augmentant la vitesse de cuisson. Lors de la cuisson de vos recettes préférées ou de produits emballés, suivez les instructions de la recette. Vérifiez les aliments cuits quelques minutes avant la durée de cuisson recommandée la plus courte.

### Guide de cuisson

Suivez les instructions se trouvant sur l'emballage ou dans la recette pour la durée et la température de cuisson.

### Tailles de plateaux de cuisson recommandées

Les tailles de plateaux de cuisson suivantes devraient convenir à votre four grille-pain à convection.

Assurez-vous que le plateau convient à votre four avant de préparer votre recette.

plateau de 6 muffins

plateau à pain de 8 x 4

plateau à pain de 9 x 5

plateau rond ou carré de 8 po

chaudron de 1-11/2 litre – la plupart des formats.

Lorsque vous cuisinez avec des plateaux à pain, ne les remplissez pas à plus de la moitié.

## Grille-pain

Le four grande capacité permet de griller de 4 à 6 tranches de pain, 6 muffins ou 6 gaufres ou crêpes surgelées. Lorsque vous ne grillez qu'un ou deux articles, placez la nourriture sur la grille, au centre du four.

### Fonctionnement

- Réglez la température à 450° F.
- Tournez le bouton de fonction à la position « **Toast** » (grille-pain).
- Placez la nourriture à griller sur la grille.
- Assurez-vous que le plateau à miettes est en place.
- Tournez la minuterie à la cuisson désirée (voir les réglages suggérés ci-dessous).
- La cloche signale la fin du cycle de grille-pain.

**Remarque:** La grille devrait être placée au centre du four, les onglets vers le bas.

### Réglages de grillage suggérés

Léger: 4 min.

Moyen: 5 min.

Foncé: 7 min.

**MISE EN GARDE:** Lorsque vous grillez des aliments, ne les laissez pas plus longtemps que les durées indiquées ci-dessus. Griller les aliments plus longtemps les brûlera.

## Grille-pain à convection

Pour de meilleurs résultats, il est recommandé de préchauffer le four à 450° F durant 15 minutes avant d'insérer les aliments. Il n'est pas nécessaire de retourner les aliments dans le four à convection: le ventilateur fait circuler l'air chaud autour de la nourriture.

### Fonctionnement

- Réglez la température à 450° F.
- Tournez le bouton de fonction à la position « Gril w/Convection » (grille-pain à convection).
- Préchauffez le four pendant 15 minutes.
- Placez le plateau de grillage sur le porte-grille inférieur.
- Placez les aliments sur la grille faites-la glisser sur le porte-grille supérieur ou intermédiaire, selon l'épaisseur du plat à cuire.
- La nourriture devrait être placée le plus près possible de l'élément chauffant supérieur, sans y toucher.
- Réglez à la température désirée.
- Badigeonnez la nourriture avec des sauces ou de l'huile, si désiré.
- Tournez la minuterie à la position « Stay On » (demeurer en fonction).
- Laissez la porte légèrement entrouverte.
- Une fois la cuisson terminée, tournez la minuterie à la position « OFF » (arrêt).

## Réchaud

Conservez la chaleur des plats cuits jusqu'à 30 minutes. N'excédez pas cette durée: la nourriture séchera et se perdra.

### Fonctionnement

- Réglez la température à 180° F.
- Tournez le bouton de fonction à la position « Keep Warm » (réchaud).
- Tournez la minuterie à la position « Stay On » (demeurer en fonction).
- Tournez le bouton de fonctionnement à la position « OFF » (arrêt) lorsque vous avez terminé.

**MISE EN GARDE:** Lorsque vous retirez des plateaux du four, retenez toujours la grille. Ne lâchez pas le plateau tant qu'il n'est pas bien supporté.

## Entretien et nettoyage

**Avertissement:** Assurez-vous de débrancher le four et de le laisser refroidir avant le nettoyage.

**N'UTILISEZ PAS DE LAINE D'ACIER NI DE NETTOYANT ABRASIF. NE GRATTEZ PAS LES PAROIS À L'AIDE D'UN USTENSILE DE MÉTAL. CES MÉTHODES POURRAIENT ENDOMMAGER L'ENDUIT AUTONETTOYANT.**

Tous les accessoires devraient être lavés à l'eau savonneuse chaude, ou au lave-vaisselle. La porte peut être essuyée à l'aide d'une éponge humide et séchée à l'aide d'une serviette de papier ou de tissu. Nettoyez l'extérieur à l'aide d'une éponge humide.

**N'UTILISEZ PAS DE NETTOYANT ABRASIF, PUISQU'IL POURRAIT ENDOMMAGER LA SURFACE EXTERNE.**

**N'UTILISEZ PAS DE LAINE D'ACIER OU DE NETTOYANT ABRASIF SUR LA RÔTISSOIRE, PUISQU'ILS POURRAIENT ENDOMMAGER SON ÉMAIL.**

**LAISSEZ TOUTES LES PIÈCES ET SURFACES SÉCHER COMPLÈTEMENT AVANT DE BRANCHER ET D'UTILISER L'APPAREIL.**

## GARANTIE LIMITÉE DE UN (1) AN

**EURO-PRO Operating LLC** garantit ce produit contre toute défectuosité matérielle ou de main d'œuvre pour une période de un (1) an à compter de la date d'achat, dans le cadre d'une utilisation domestique normale, en vertu des conditions, exclusions et exceptions suivantes.

Si votre appareil cesse de fonctionner correctement dans le cadre d'un usage domestique normal pendant la période de garantie, retournez-le avec ses accessoires. Veuillez SVP contacter le service à la clientèle au 1 (866) 826-6941 ou visitez-nous au [www.euro-pro.com](http://www.euro-pro.com).

Si **EURO-PRO** constate que l'appareil comporte une défectuosité matérielle ou de main d'œuvre, **EURO-PRO** le réparera ou le remplacera sans frais de votre part. Une preuve d'achat indiquant la date d'achat et un montant de 16,95 \$ pour la manutention et l'envoi de retour doivent être inclus.\*

La responsabilité de **EURO-PRO Operating LLC** ne se limite qu'au coût des pièces de rechange ou de l'appareil, à notre discrétion. Cette garantie ne couvre pas l'usure normale des pièces et ne couvre pas les appareils altérés ou utilisés à des fins commerciales. Cette garantie limitée exclut les dommages causés par le mésusage, l'abus, la manipulation négligente ainsi que par une manutention en transit ou un emballage inadéquats. Cette garantie ne couvre pas les défectuosités ou dommages découlant directement ou indirectement du transport, des réparations, des altérations ou de l'entretien apportés au produit ou à ses pièces par un réparateur non autorisé par **EURO-PRO**.

Cette garantie couvre l'acheteur initial du produit et exclut toute autre garantie juridique ou conventionnelle. Le cas échéant, **EURO-PRO Operating LLC** n'est tenue qu'aux obligations spécifiques assumées par elle de façon expresse en vertu des conditions de cette garantie limitée. **En aucun cas EURO-PRO Operating LLC** ne sera-t-elle tenue responsable de dommages indirects de quelque nature que ce soit. Certains états ou provinces n'autorisent pas l'exclusion ou la limitation des dommages indirects. Ainsi, la disposition ci-devant pourrait ne pas s'appliquer à vous.

Cette garantie vous confère des droits juridiques précis pouvant varier d'un état ou d'une province à l'autre.

**\*Important: Emballez soigneusement l'appareil afin d'éviter tout dommage durant le transport. Avant d'emballer l'appareil, assurez-vous d'y apposer une étiquette portant vos nom, adresse complète et numéro de téléphone ainsi qu'une note précisant les détails de l'achat, le modèle et le problème éprouvé par l'appareil. Nous vous recommandons d'assurer votre colis (les dommages survenus durant le transport ne sont pas couverts par la garantie). Indiquez « AUX SOINS DU SERVICE À LA CLIENTÈLE » sur l'emballage extérieur. Comme nous nous efforçons en tout temps d'améliorer nos produits, les spécifications décrites dans ce guide sont sujettes à changement sans préavis.**



## FICHE D'ENREGISTREMENT DU PROPRIÉTAIRE CONSOMMATEURS CANADIENS SEULEMENT

Veuillez remplir cette fiche d'enregistrement et la poster dans les dix (10) jours suivant l'achat. L'enregistrement nous permettra de communiquer avec vous en cas de défectuosité du produit. En nous retournant cette fiche, vous convenez avoir lu et compris les consignes d'utilisation et les avertissements qui les accompagnent.

RETOURNEZ À: **EURO-PRO Operating LLC**, 4400, Bois Franc, St-Laurent (Québec) H4S 1A7

TO160/TO160L

-----  
Modèle de l'appareil

-----  
Date d'achat

Détaillant

-----  
Nom du propriétaire

-----  
Adresse

Ville

Prov.

Code postal